

Connection Instructions

Tracking devices and LLS (RS485 Digital Fuel level Sensor)

LLS Configuration

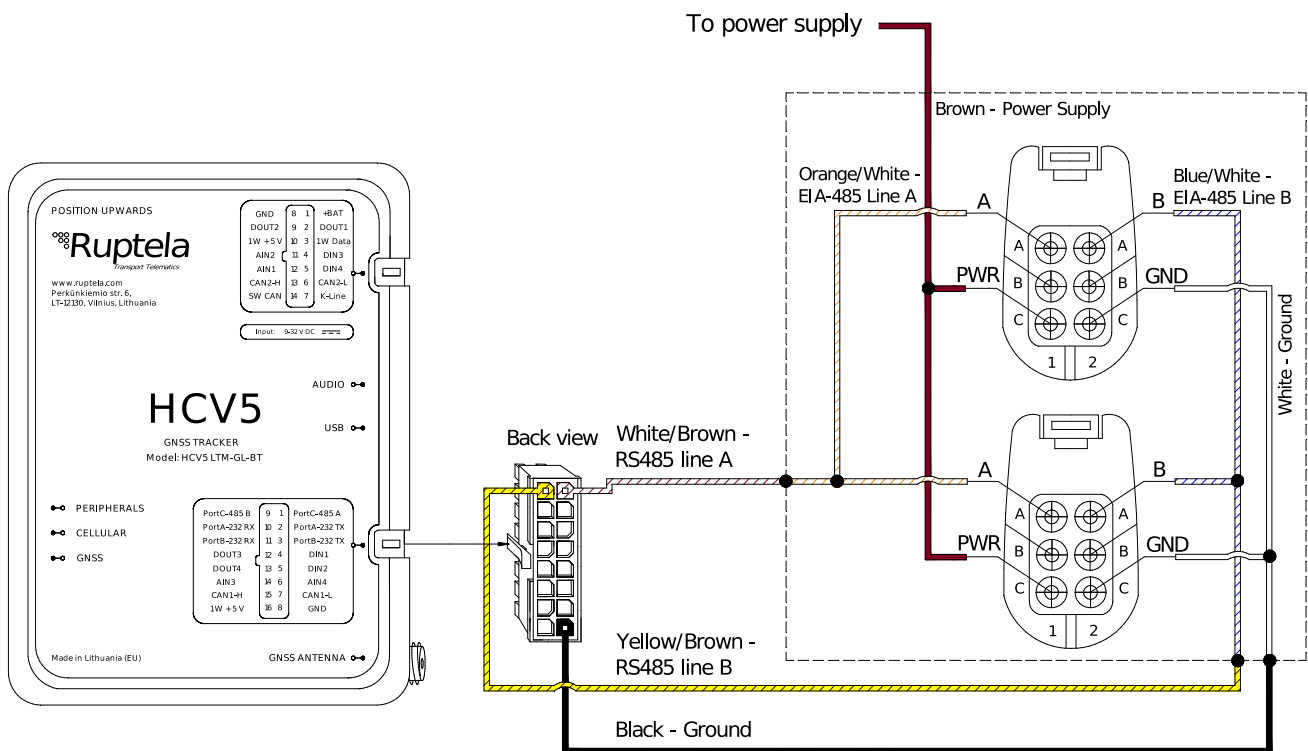
It is very important to configure your LLS correctly before connecting it to the tracking device. Key points for the configuration:

- ❖ The LLS Baud rate value has to be set to 19200
- ❖ The LLS must be configured to send data only upon request from the tracking device
- ❖ LLS data output should be binary, 10 or 12 bits

Connecting the LLS to the Tracking Devices

LLS (20160, RS485) should be connected to the tracking device as follows (see the pictures below):

Advanced Family devices:



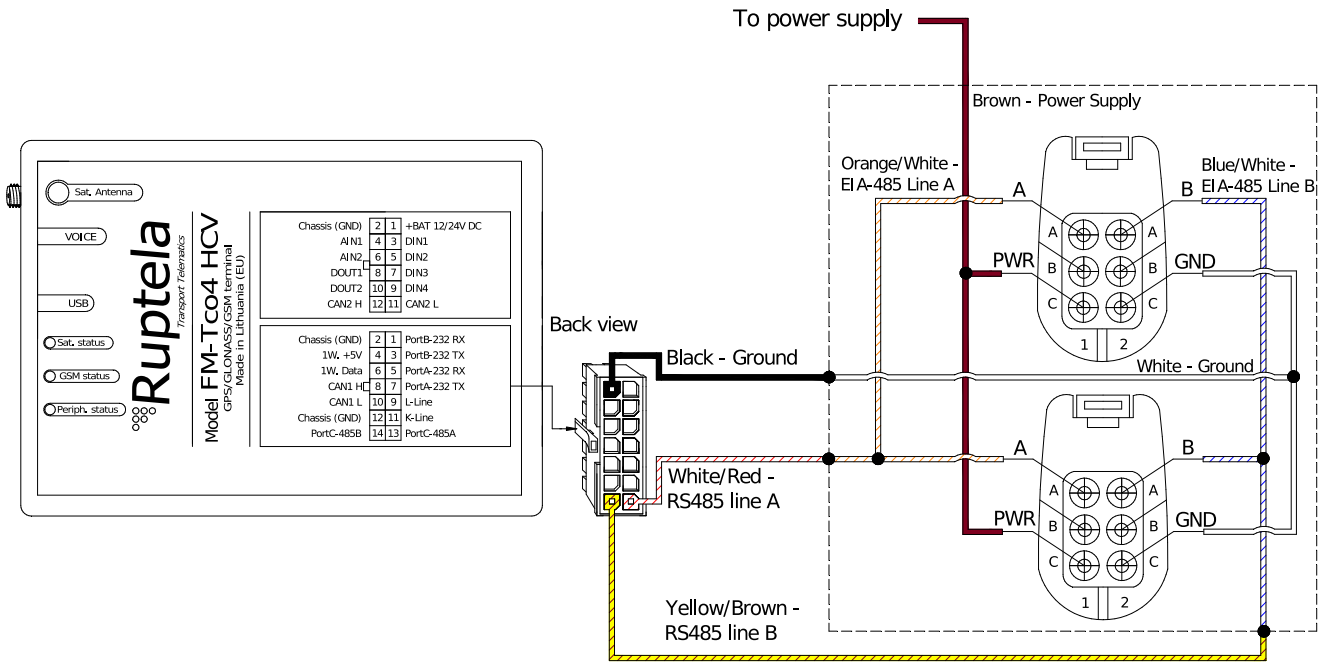
Contacts:

Main Support no.: +370 5 2045030
 Polish Support no.: +48 22 2092532
 Ukrainian Support no.: +380 947 107319

Web: www.ruptela.lt

Email: support@ruptela.com

Pro Family devices:



Wire colors:

LLS output wires	LLS output description	Pro Family devices	Advanced Family devices
Brown (C1)	Power source «+»	Battery (+12/24V)	Battery (+12/24V)
White (C2)	Ground «-»	Pin2 (CHASSIS)	Pin8 (Ground)
Pink (B1)	RS-232 "Tx"	-	-
Grey (B2)	RS-232 "Rx"	-	-
Orange-White (A1)	EIA-485 "Line A"	Pin13 (PortC A)	Pin1 (PortC A)
Blue-White (A2)	EIA-485 "Line B"	Pin14 (PortC B)	Pin9 (PortC B)



Contacts:

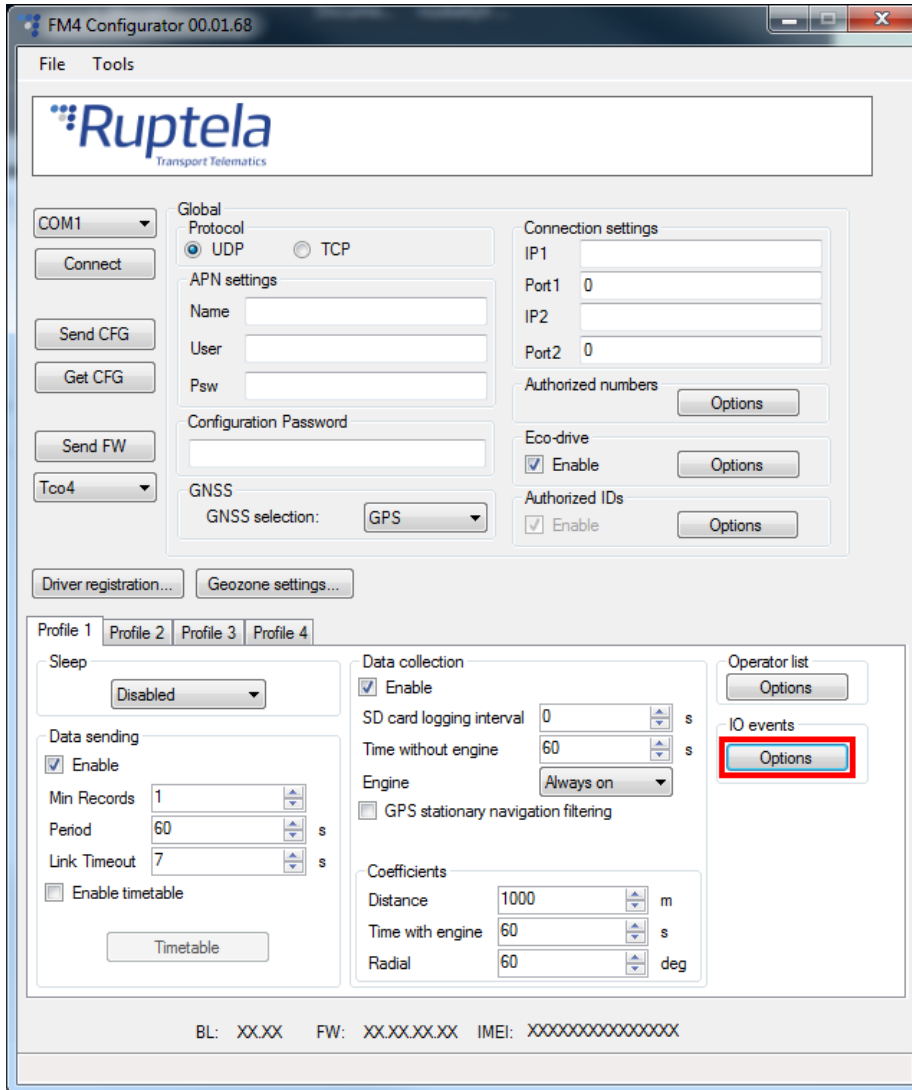
Main Support no.: +370 5 2045030
 Polish Support no.: +48 22 2092532
 Ukrainian Support no.: +380 947 107319

Web: www.ruptela.lt

Email: support@ruptela.com

LLS Configuration Settings in the Advanced Configurator

- ❖ Open the advanced configurator
- ❖ Click on the **Options** button in the **IO events** section



- ❖ In the Options menu, configure the following settings, as shown in the pictures below.

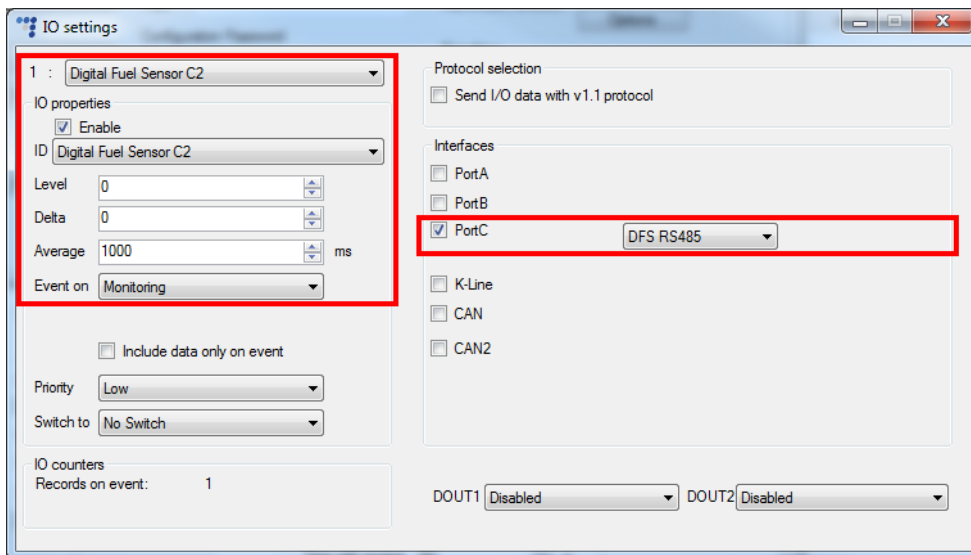
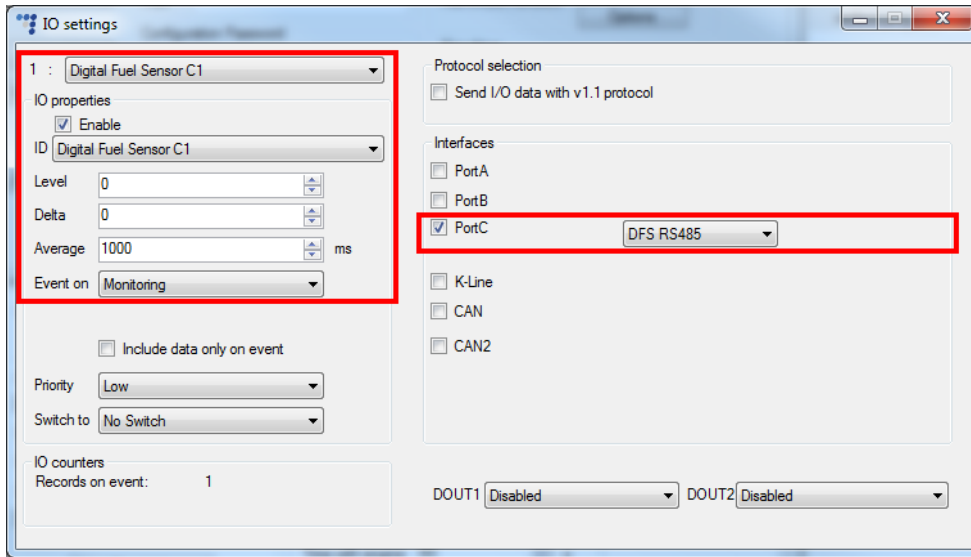


Contacts:

Main Support no.: +370 5 2045030
Polish Support no.: +48 22 2092532
Ukrainian Support no.: +380 947 107319

Web: www.ruptela.lt

Email: support@ruptela.com



After a proper configuration and connection you will be able to get values for two parameters:

- ❖ Fuel level
- ❖ Fuel temperature

Have in mind that if you connected 2 sensors, you MUST configure only 2 sensors. If you configure more or less sensors, none of them will show the fuel level.

Also if you have few sensors connected and one is damaged or broken, the others will not show fuel level as well.



Contacts:

Main Support no.: +370 5 2045030
Polish Support no.: +48 22 2092532
Ukrainian Support no.: +380 947 107319

Web: www.ruptela.it

Email: support@ruptela.com