

Panic Button Connection

1 Introduction

1.1 About the Functionality

A panic button is a peripheral used to increase the safety of the vehicle, the driver and the cargo. In case of an emergency, the driver can quickly send an emergency message to the manager. The message is received in the fleet management platform or by SMS.

Detailed descriptions of tracking devices and functionalities can be found on our documentation website: doc.ruptela.it.

1.2 Legal Information

Copyright © 2020 Ruptela. All rights reserved. Reproduction, transfer, distribution or storage of parts or all of the contents in this document in any form without the prior written permission of Ruptela is prohibited. Other products and company names mentioned in this document are trademarks or trade names of their respective owners.

1.3 Compatibility

The panic button is compatible with the following devices with the newest firmware version:

- HCV5
- LCV5
- Pro5
- Trace5
- FM-Tco4 HCV
- FM-Tco4 LCV
- FM-Pro4
- FM-Eco4
- FM-Eco4 RS T
- FM-Eco4 S
- FM-Eco4 T

1.4 Contact Information

General enquiries

Website: ruptela.com

E-mail: info@ruptela.com

Phone: +370 5 2045188

Technical support

E-mail: support@ruptela.com

Phone: +370 5 2045030

1.5 Document Changelog

Version	Date	Modification
1.0	2020-04-03	Initial draft.
1.1	2020-10-26	Updated: Supported device list. Added: Connection schematic to 5 th gen devices.

1.6 Notations

The following notations are used in this document to highlight important information:

Bold text

Used to indicate user interface elements or for emphasis.

Italic text

Used to indicate items that belong to a list and can be selected, also for examples identification.

Note



Used to highlight important information or special conditions.

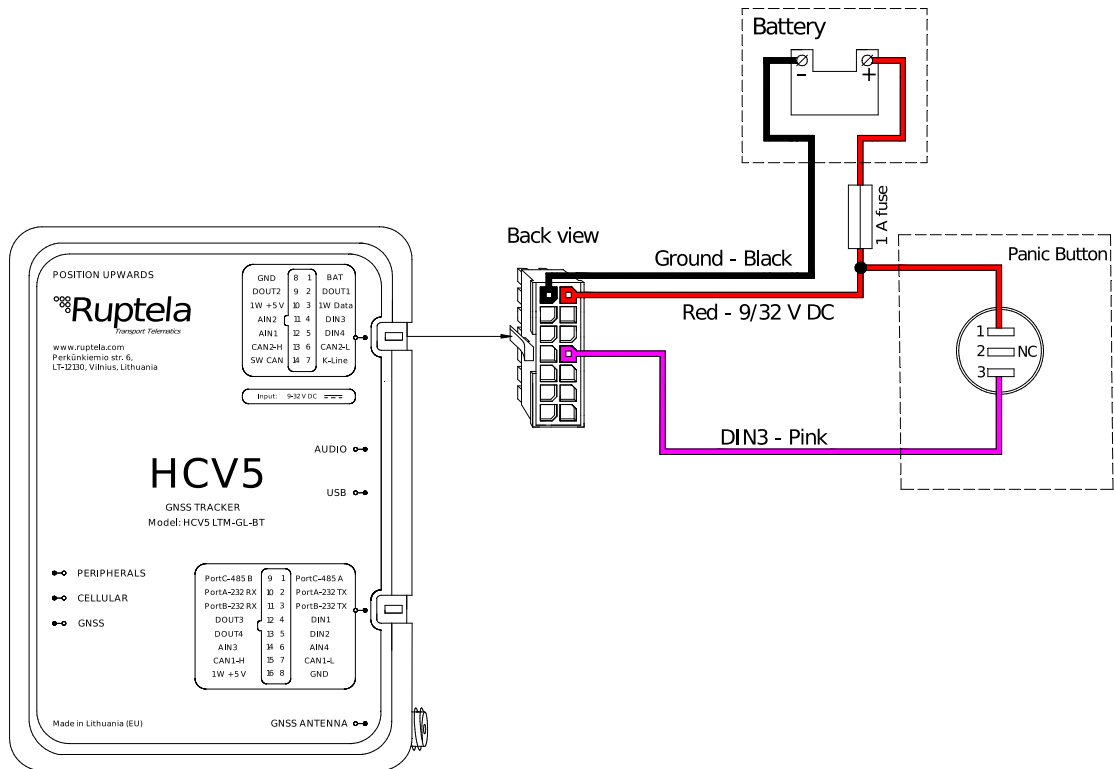
1.7 References

Tutorial on how to connect a panic button: [Panic button connection](#)

2 Connection

2.1 Connection to Advanced Family Devices

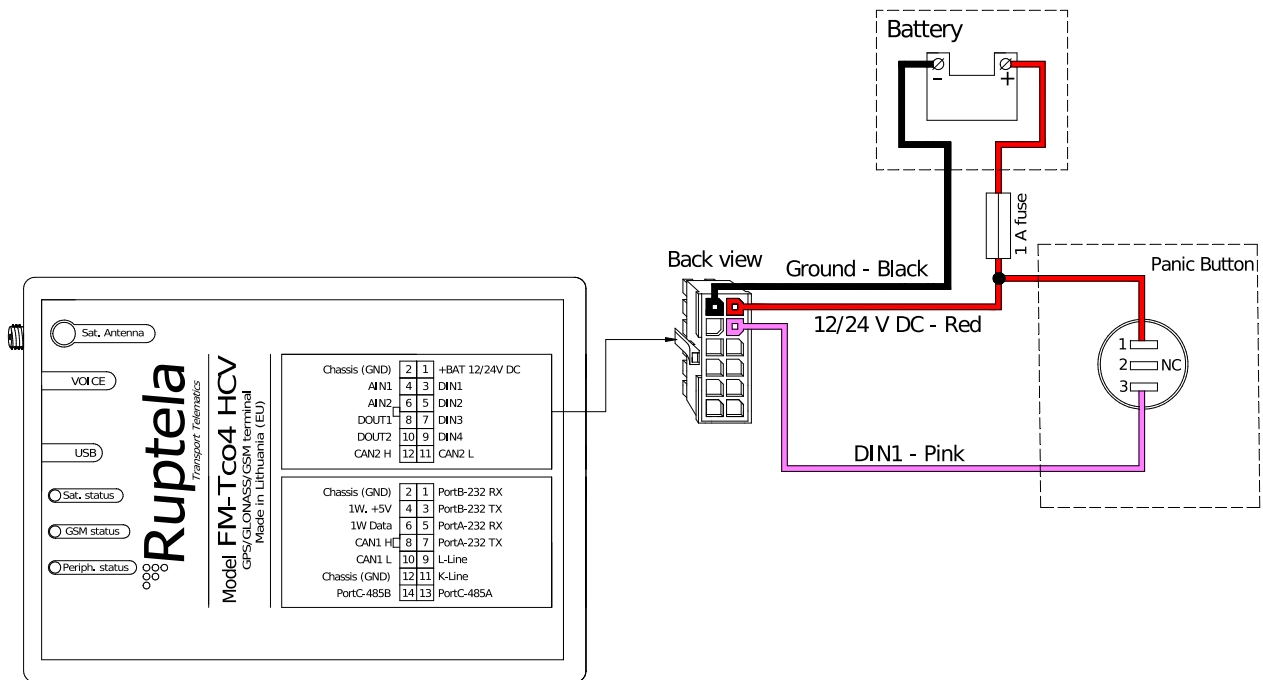
Connect the panic button to your tracking device as follows:



i Make sure that the button connections are properly insulated. We recommend using specialized insulation methods that ensure reliable long-term performance under harsh field conditions.

2.2 Connection to Pro Family Devices

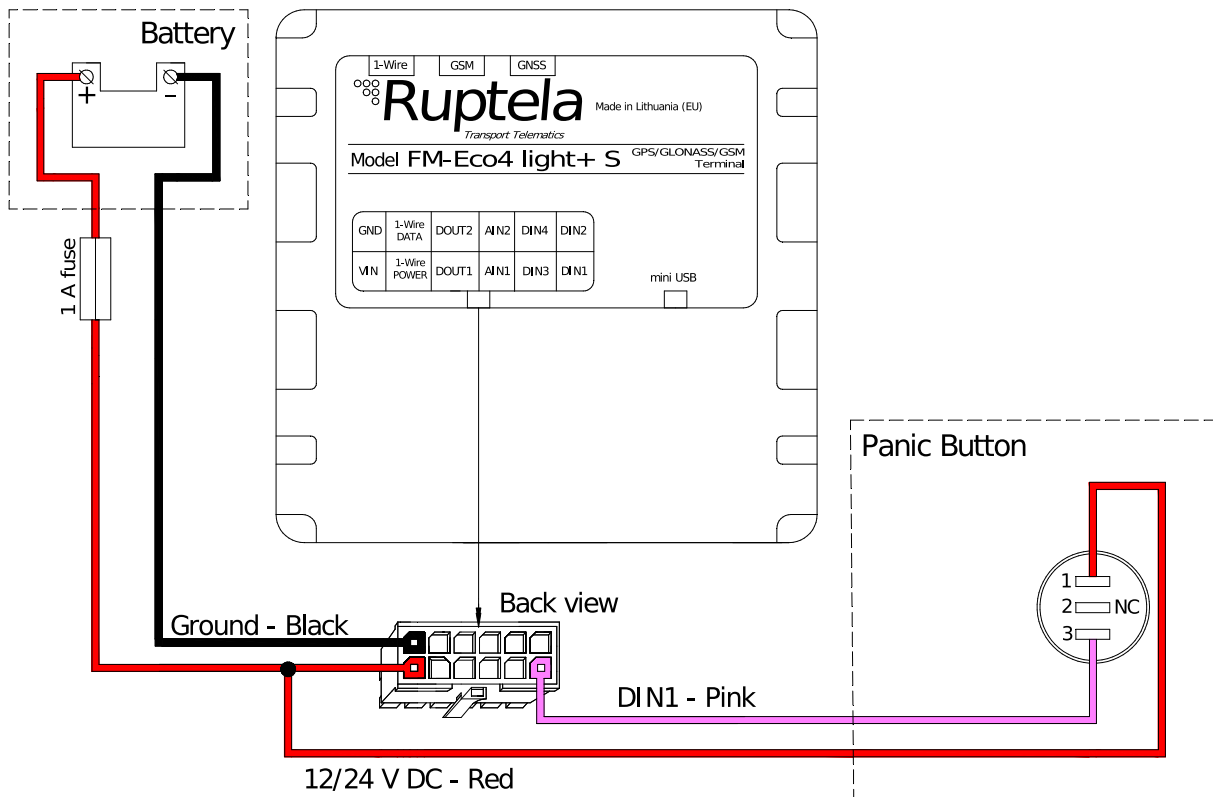
Connect the panic button to your tracking device as follows:



Make sure that the button connections are properly insulated. We recommend using specialized insulation methods that ensure reliable long-term performance under harsh field conditions.

2.3 Connection to Eco Family Devices

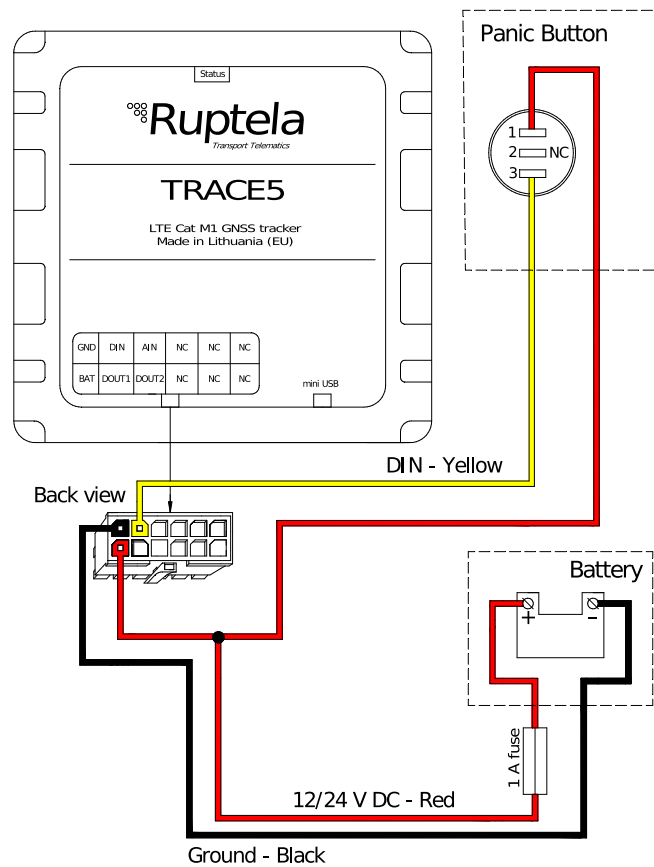
Connect the panic button to your tracking device as follows:



Make sure that the button connections are properly insulated. We recommend using specialized insulation methods that ensure reliable long-term performance under harsh field conditions.

2.4 Connection to Trace5 Devices

Connect the panic button to your tracking device as follows:



Make sure that the button connections are properly insulated. We recommend using specialized insulation methods that ensure reliable long-term performance under harsh field conditions.

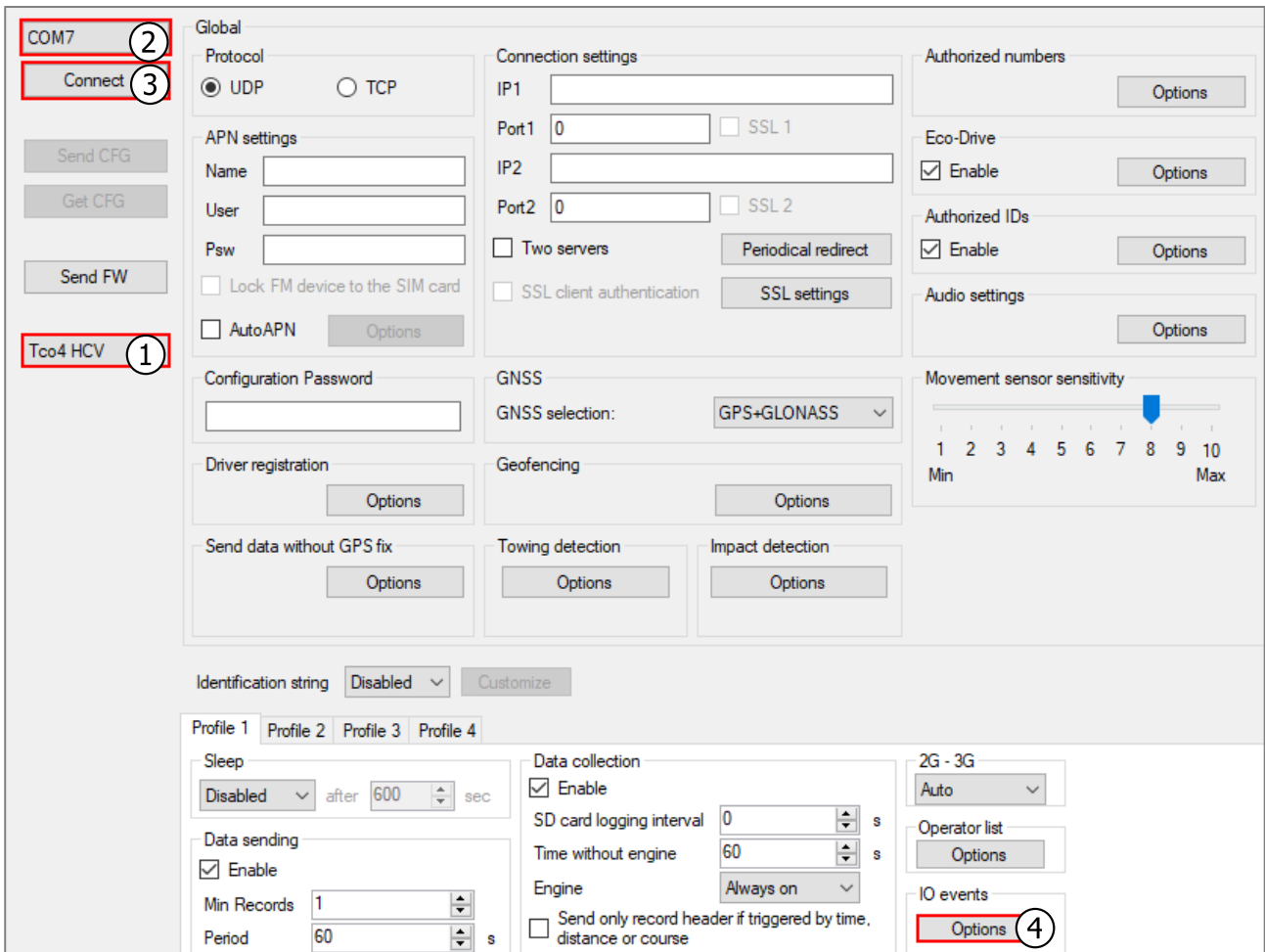
3 Configuration

i This functionality requires the use of the advanced configurator.

3.1 Starting the Configuration

To start the configuration, follow these steps:

1. Open the advanced configurator. Select your tracking device.
2. Select the COM port to which your device is connected.
3. Click **Connect**.
4. Click the **Options** button in the **IO events** section to open the **IO Settings** window.



3.2 Configuring the Panic Button

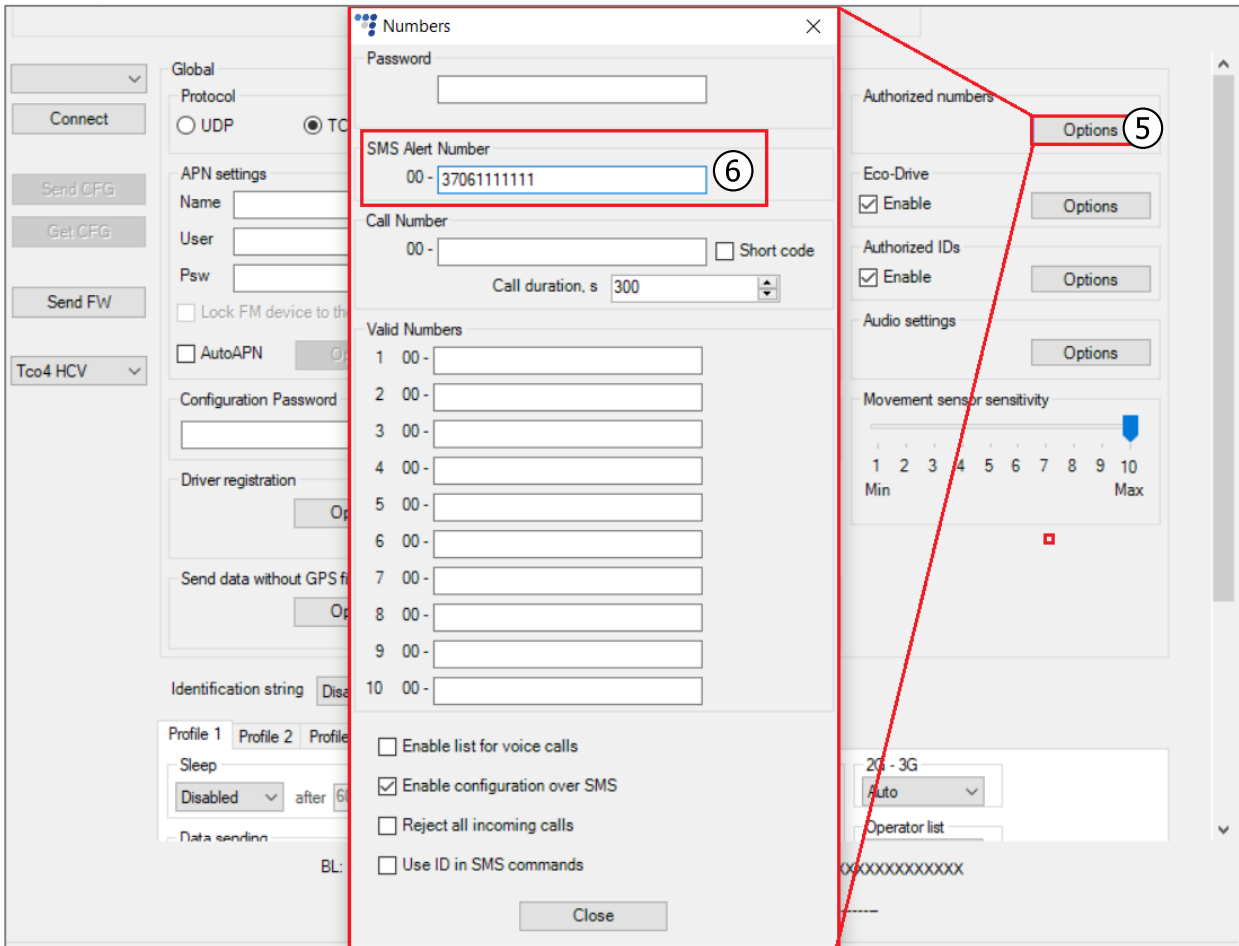
Follow these steps to configure the panic button:

1. In the **IO settings** window select *DIN1*.
2. Make sure, that **Event on** is set on *Change* and **Priority** on *High*.
3. Enable SMS notifications by ticking **SMS Alert**.
4. In the fields **Event on high** and **Event on low** write what alert text will be sent, e.g. *Panic alarm initiated* and *Panic alarm called off*.

The screenshot shows the 'IO settings' window for a device. The configuration is as follows:

- IO properties:**
 - ID: **DIN1** (circled 1)
 - Level: 0
 - Delta: 0
 - Debounce: 1000 ms
 - Event on: **Change** (circled 2)
 - Include data only on event: (circled 2)
 - Priorit: **High** (circled 2)
 - Switch to: No Switch
- SMS Alert:** (circled 3)
 - Alert text:
 - Event on high: **Panic alarm initiated** (circled 4)
 - Event on low: **Panic alarm called off** (circled 4)
- Protocol selection:** Send I/O data with v1.1 protocol
- Interfaces:** PortA, PortB, PortC, K-Line, CAN, CAN2, 1-Wire (all disabled). DIN3 mode: Positive mode. DIN4 mode: Positive mode.
- Digital outputs:** DOUT1: Disabled, DOUT2: Disabled (both with Inverted checkboxes).
- IO counters:** Records on event: 2

5. Go back to the main advanced configurator window and click the **Options** button in the **Authorized numbers** section to open the **Numbers** window.
6. In the **SMS Alert Number** enter the telephone number, to which panic button alerts will be sent.



3.3 Finishing the Configuration

To finish the configuration, close the **Numbers** window. Click **Send CFG** to send the configuration to the device.

The screenshot displays the Ruptela Configurator software interface. At the top, there is a menu bar with 'File' and 'Tools'. Below it, a 'Configuration file information' section shows 'Configuration source: Configurator', 'Target device: n/a', 'CFG Tag: [input field]', and 'Last edited: n/a'. The Ruptela logo is in the top right corner.

The main interface is divided into several sections:

- Global:** Includes a 'COM8' dropdown, a 'Disconnect' button, a 'Send CFG' button (highlighted with a red box), a 'Get CFG' button, a 'Send FW' button, and a 'Tco4 LCV' dropdown.
- Protocol:** Radio buttons for 'UDP' (selected) and 'TCP'.
- APN settings:** Fields for 'Name', 'User', and 'Psw'. Checkboxes for 'Lock FM device to the SIM card' and 'AutoAPN' with an 'Options' button.
- Connection settings:** Fields for 'IP1', 'Port1' (0), 'IP2', and 'Port2' (0). Checkboxes for 'SSL 1', 'SSL 2', 'Two servers', and 'SSL client authentication'. Buttons for 'Periodical redirect' and 'SSL settings'.
- GNSS:** A 'GNSS selection' dropdown menu set to 'GPS+GLONASS'.
- Geofencing:** An 'Options' button.
- Authorized numbers:** An 'Options' button.
- Eco-Drive:** A checked 'Enable' checkbox with an 'Options' button.
- Authorized IDs:** A checked 'Enable' checkbox with an 'Options' button.
- Audio settings:** An 'Options' button.
- Movement sensor sensitivity:** A slider scale from 1 to 10, with 'Min' at 1 and 'Max' at 10. The slider is currently set to 8.