

Buzzer

Data Sheet v1.0

2016-02-05



- Small size
- Sound level - 85 dB
- Wide operating voltage range

Technical specifications

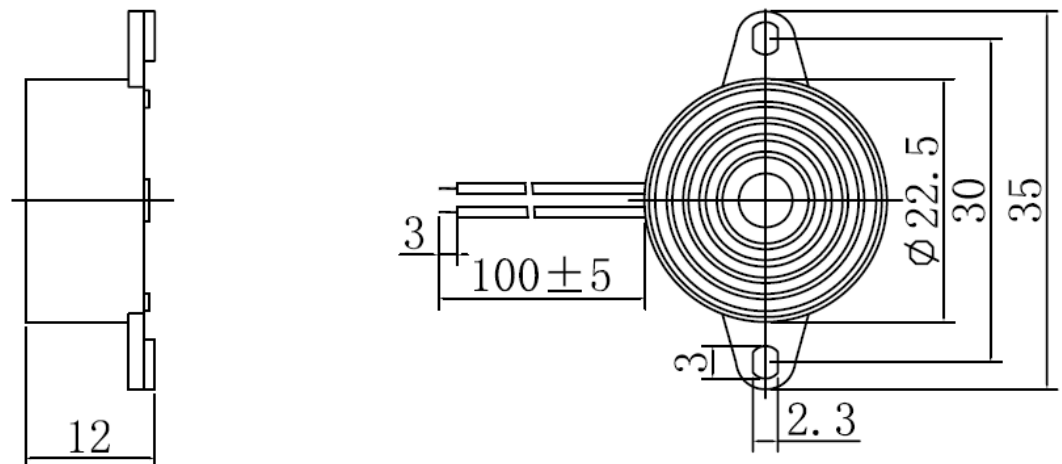
Parameter	Value
Rated voltage	12 V
Operating voltage range	1,5 - 24 V
¹ Rated current (MAX)	12 mA
¹ Min sound output at 30 cm	85 dB
¹ Resonant frequency	3300± 500 Hz
Tone nature	Single
Lead wire/Lead pin metal	UL1007 AWG26
Operating temperature	-20 - +60 °C
Storage temperature	-30 - +70 °C

¹ Value applying at rated voltage (DC).

Dimensions

Units: mm

Toletance: ±0,5 mm



Legal information

Copyright © 2016 Ruptela. All rights reserved. Reproduction, transfer, distribution or storage of parts or all of the contents in this document in any form without the prior written permission of Ruptela is prohibited. Other products and company names mentioned in this document are trademarks or trade names of their respective owners.

Physical properties

Diameter	25,5 mm
Height	12 mm
Mass	4 g
Housing	ABS

Contacts

T. +370 5 272 65 70
M. info@ruptela.com
W. ruptela.com