

Connection Instructions

Tracking Devices and LLS (RS232 Digital Fuel Level Sensor)

LLS Configuration

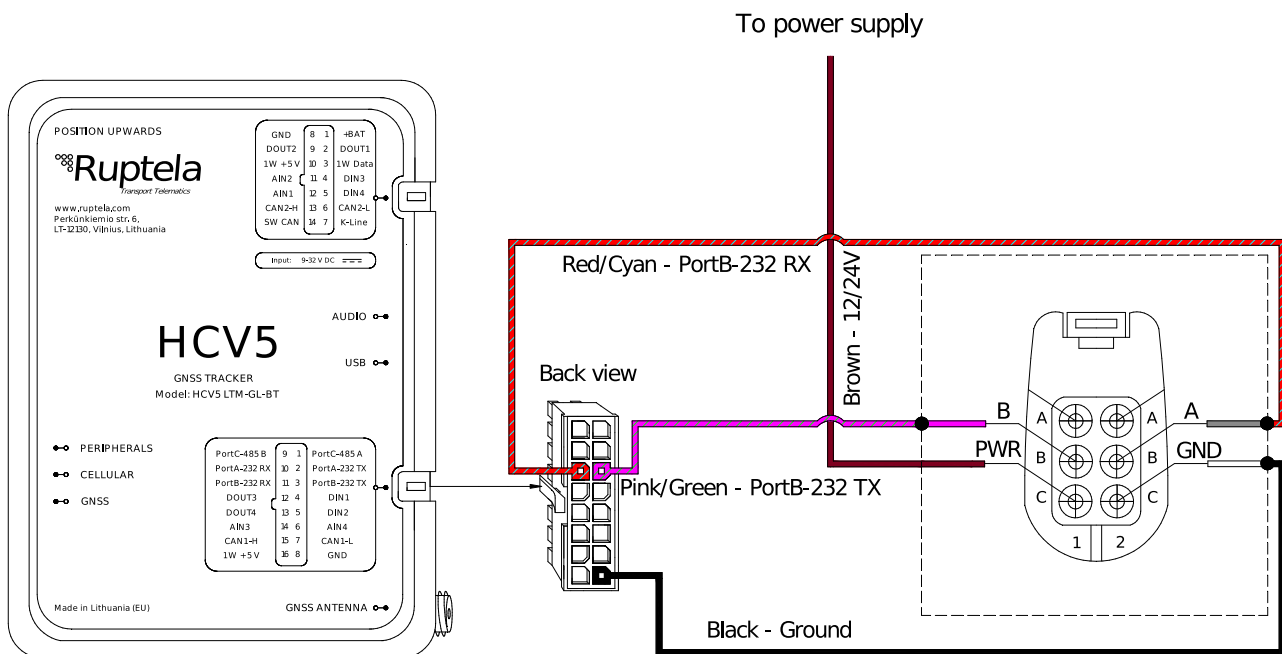
It is very important to configure your LLS correctly before connecting it to the tracking device. Key points for the configuration:

- ❖ The LLS Baud rate value has to be set to 19200.
- ❖ The LLS must be configured to send data only upon request from the tracking device.
- ❖ LLS data output should be binary, 10 or 12 bits.

Connecting the LLS to the Tracking Devices

LLS (20160, RS232) should be connected to the tracking device as follows (see the pictures below):

Advanced Family devices:



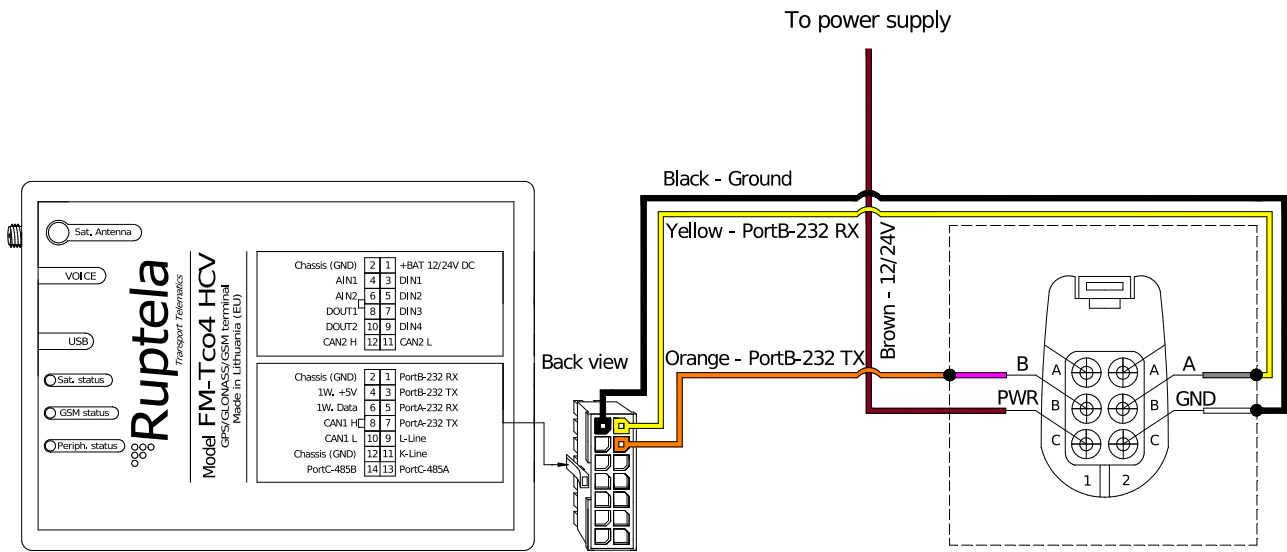
Contacts:

Main Support no.: +370 5 2045030
 Polish Support no.: +48 22 2092532
 Ukrainian Support no.: +380 947 107319

Web: www.ruptela.lt

Email: support@ruptela.com

Pro Family devices:



Wire colors

LLS output wires	LLS output description	Pro Family devices	Advanced Family devices
Brown (C1)	Power source «+»	Battery (+12/24V)	Battery (+12/24V)
White (C2)	Ground «-»	Pin2 (CHASSIS)	Pin8 (Ground)
Pink (B1)	RS-232 "Tx"	Pin3 (PortB TX) Pin7 (PortA TX)	Pin3 (PortB TX) Pin2 (PortA TX)
Grey (B2)	RS-232 "Rx"	Pin1 (PortB RX) Pin5 (PortA RX)	Pin11 (PortB RX) Pin10 (PortA RX)
Orange-White (A1)	EIA-485 "Line A"		
Blue-White (A2)	EIA-485 "Line B"		



Contacts:

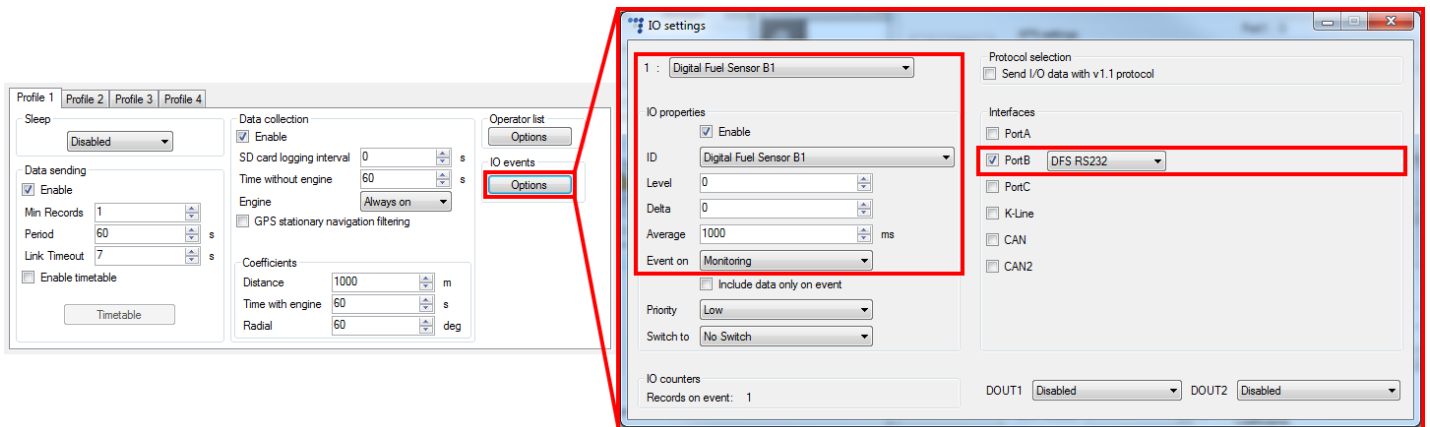
Main Support no.: +370 5 2045030
 Polish Support no.: +48 22 2092532
 Ukrainian Support no.: +380 947 107319

Web: www.ruptela.lt

Email: support@ruptela.com

LLS Configuration Settings in Advanced Configurator

- ❖ Open the advanced configurator
- ❖ Click **Options** in the **IO events** section
- ❖ In the Options menu, there should be the following settings, as shown in the picture below:



After a proper configuration and connection you will be able to get values for two parameters:

- ❖ Fuel level
- ❖ Fuel temperature

You can connect only one LLS to the RS232 Port. You can use both PortA and PortB.



Contacts:

Main Support no.: +370 5 2045030
Polish Support no.: +48 22 2092532
Ukrainian Support no.: +380 947 107319

Web: www.ruptela.lt

Email: support@ruptela.com