



Buzzer

A **Buzzer** is a small audio signaling device that can alert the driver on various events such as when the driver registration is needed, GPS tracker jamming detection, or can be used for driver behavior monitoring.

Applications

- Alerting the driver

Key Features

- Small size
- Sound level – 85 dB
- Wide operating voltage range

Compatibility

✓ HCV5	✓ LCV5	✓ Pro5	✓ Trace5
✓ FM-Tco4 HCV	✓ FM-Tco4 LCV	✓ FM-Pro4	✓ FM-Eco4 RS T
✓ FM-Eco4	✓ FM-Eco4 S	✓ FM-Eco4 T	⊘ FM-Plug4

Detailed specifications

Environmental specifications

Operating temperature	-20 to +60 °C
Storage temperature	-30 to +70 °C

Technical specifications

Operating voltage range	1.5 – 24 V
Maximum current	12 mA
Sound level (at 30 cm)	85 dB
Tone nature	Single

Physical properties

Diameter	22.5 mm
Height	12 mm
Weight	4 g
Housing	ABS

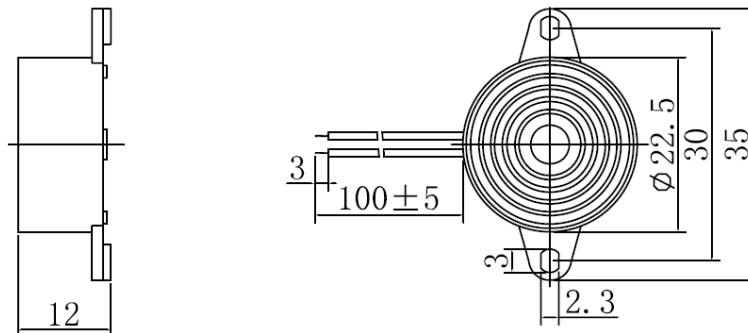
Cable pinout

Wire colors	Description
Red	Power supply
Black	Ground/Signal output

Dimensions

Units: mm

Tolerance: ± 0.5 mm



Ordering information

BUZ01	Buzzer
--------------	--------

Contact information:

Perkūnkiemio g. 6
 LT-12130 Vilnius, Lithuania
 Phone: +370 520 451 88
 Web: www.ruptela.com

Datasheet v2.0
 2021-01-13