

# Buzzer

## 1 Introduction

### 1.1 About the Accessory

The buzzer is used to audibly indicate various events, such as Eco-Drive (extreme braking, overspeeding, etc), or it can be used in driver registration, e.g. to indicate a successful registration when the driver card is swiped through a reader.

This feature description applies to tracking devices with the latest firmware version.

You can get the newest firmware and configurator from our documentation website: [doc.ruptela.it](http://doc.ruptela.it)

### 1.2 Legal Information

Copyright © 2021 Ruptela. All rights reserved. Reproduction, transfer, distribution or storage of parts or all of the contents in this document in any form without the prior written permission of Ruptela is prohibited. Other products and company names mentioned in this document are trademarks or trade names of their respective owners.

### 1.3 Compatibility

The buzzer is compatible with the following devices with the newest firmware version:

- HCV5
- LCV5
- Pro5
- Trace5
- FM-Tco4 HCV
- FM-Tco4 LCV
- FM-Pro4
- FM-Eco4 S
- FM-Eco4 T

## 1.4 Contact Information

### General enquiries

Website: [ruptela.com](http://ruptela.com)

E-mail: [info@ruptela.com](mailto:info@ruptela.com)

Phone: +370 5 2045188

### Technical support

E-mail: [support@ruptela.com](mailto:support@ruptela.com)

Phone: +370 5 2045030

## 1.5 Document Changelog

Version	Date	Modification
1.0	2021-03-19	Initial release.

## 1.6 Notations

The following notations are used in this document to highlight important information:

### **Bold text**

Used to indicate user interface elements or for emphasis.

### *Italic text*

Used to indicate items that belong to a list and can be selected.

### **Note**

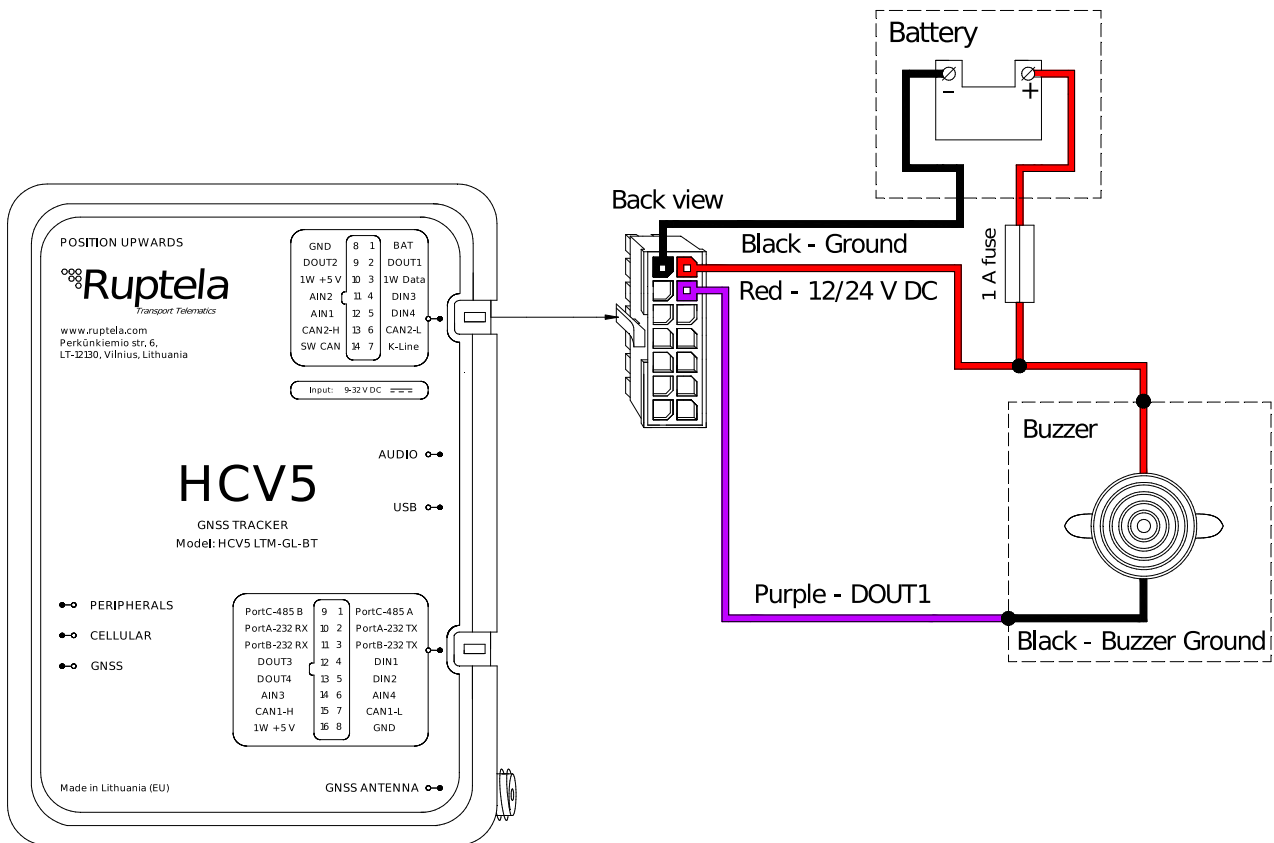


Used to highlight important information or special conditions.

## 2 Connection

### 2.1 Connection to 5<sup>th</sup> Gen Advanced Family Devices

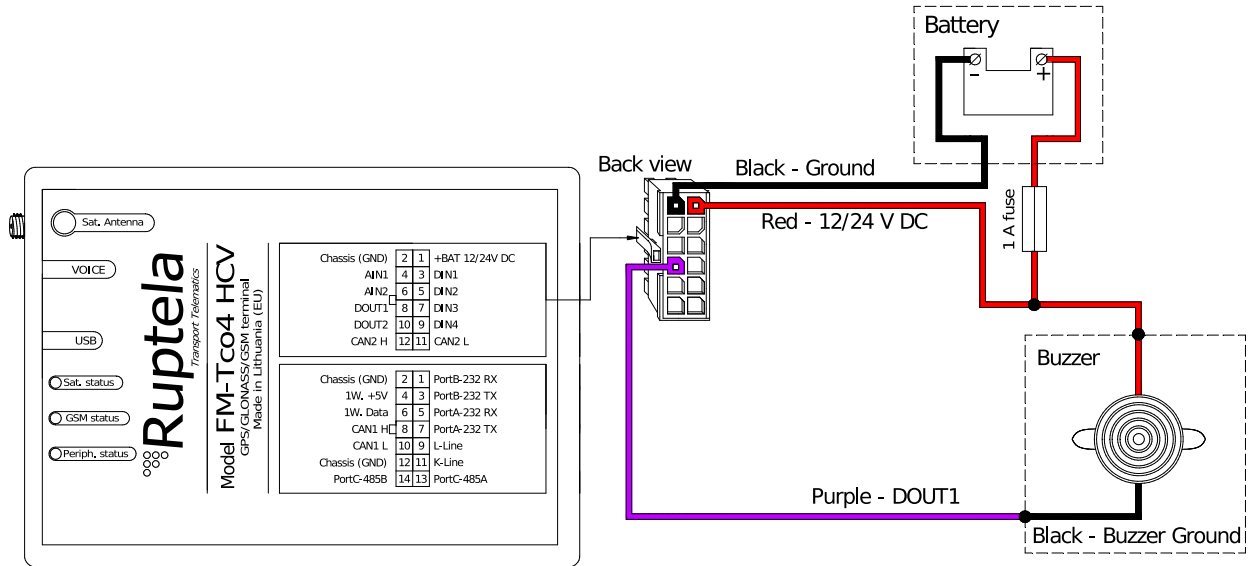
Connect the buzzer to your tracking device as follows:



Alternatively, buzzer ground can be connected to DOUT2 (orange wire, pin 9), DOUT3 (white/purple wire, pin 12), DOUT4 (white/orange wire, pin 13).

## 2.2 Connection to 4<sup>th</sup> Gen Advanced Family devices

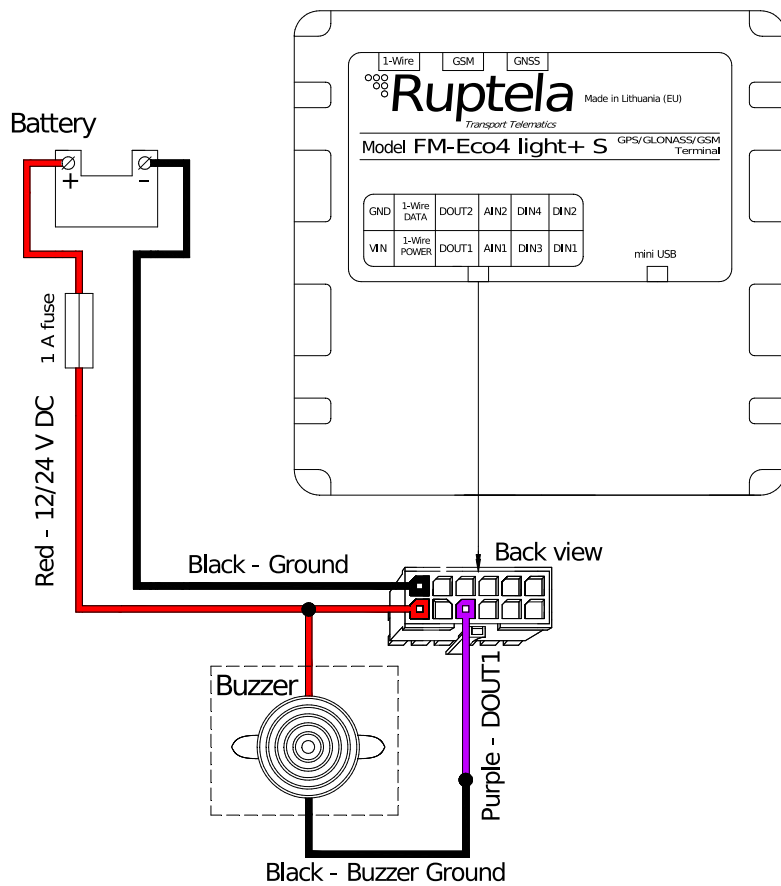
Connect the buzzer to your tracking device as follows:



Alternatively, buzzer ground can be connected to DOUT2 (orange wire, pin 10).

## 2.3 Connection to FM-Eco4 Series device

Connect the buzzer to your tracking device as follows:



**i** Alternatively, buzzer ground can be connected to DOUT2 (orange wire).

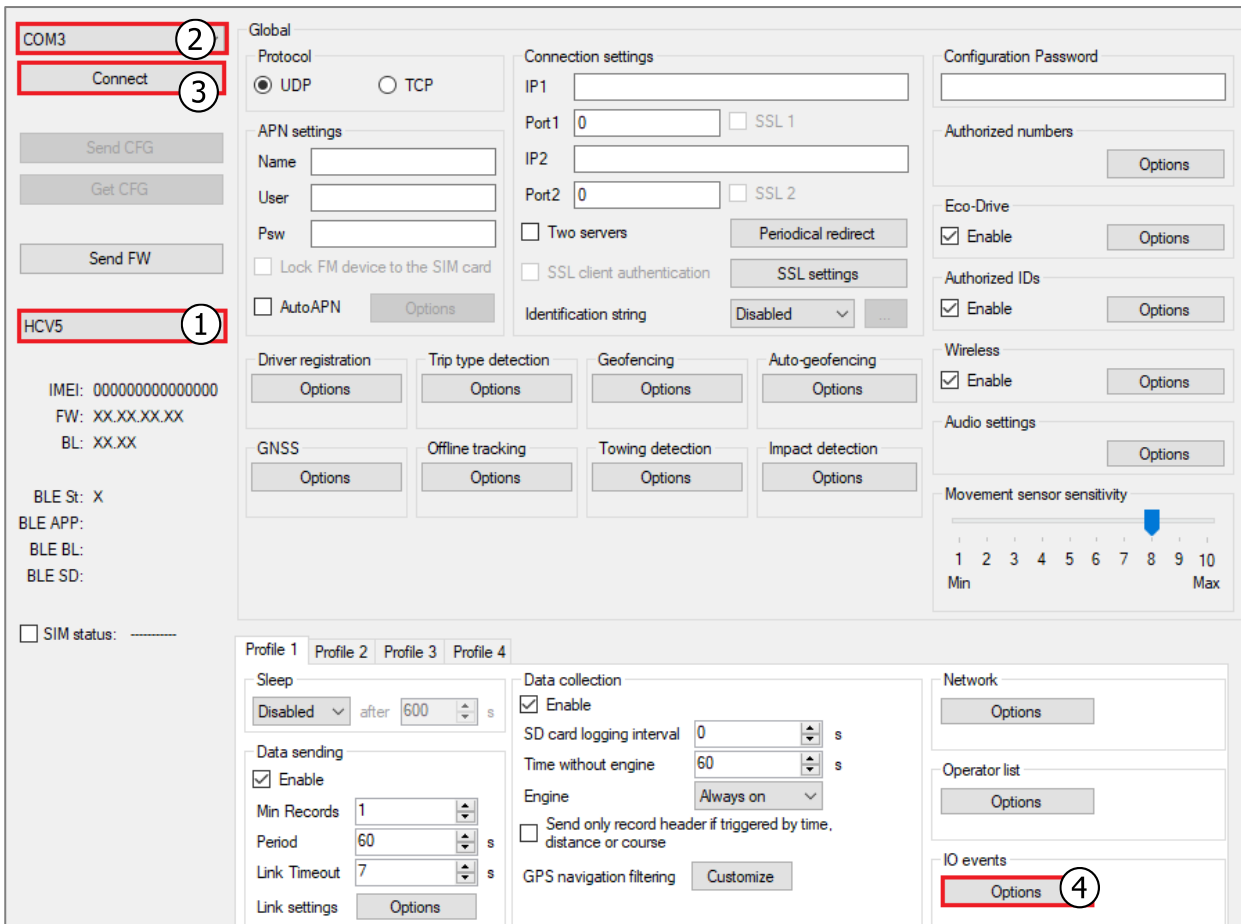
# 3 Configuration

**i** This functionality requires the use of the advanced configurator.

## 3.1 Starting the Configuration

To start the configuration, follow these steps:

1. Open the advanced configurator. Select your tracking device.
2. Select the COM port to which your device is connected.
3. Click **Connect**.
4. Click the **Options** button in the **IO events** section to open the **IO Settings** window.



## 3.2 Configuring the Buzzer

Follow these steps to configure the buzzer:

1. Select *Buzzer* from the drop-down list for the same DOUT that you used for the connection.
2. For further event configuring please see **DOUT Activation with Conditions, Driver Registration** or **Eco-Drive Configuration** manuals [here](#).

Digital outputs

DOUT1	Buzzer	<input type="checkbox"/>	Inverted
DOUT2	Disabled	<input type="checkbox"/>	Inverted
DOUT3	Disabled	<input type="checkbox"/>	Inverted
DOUT4	Disabled	<input type="checkbox"/>	Inverted

Activation conditions

## 3.3 Finishing the Configuration

To finish the configuration, close the **IO settings** windows. Click **Send CFG** to send the configuration to the device.

COM5

Disconnect

Send CFG

Get CFG

Send FW

HCV5

IMEI: 866600049035322  
FW: 00.03.60.03  
BL: 0x54 0x2d

BLE St: (5) No power  
BLE APP:  
BLE BL:  
BLE SD:

Global

Protocol

UDP  TCP

APN settings

Name

User

Psw

Lock FM device to the SIM card

AutoAPN Options

Connection settings

IP1

Port1 0  SSL 1

IP2

Port2 0  SSL 2

Two servers

Periodical redirect

SSL client authentication

SSL settings

Identification string Disabled

DNS settings

Configuration Password

Authorized numbers Options

Eco-Drive

Enable Options

Authorized IDs

Enable Options

Wireless

Enable Options

Audio settings Options

Movement sensor sensitivity

1 2 3 4 5 6 7 8 9 10

Min Max