

Dräger Interlock® 5000/7000 Interlock Device

1 Introduction

1.1 About the Accessory

Dräger Interlock® 5000 and 7000 are ignition interlock devices that prevent a person under the influence of alcohol from starting the vehicle, by blocking the starter relay. Once the vehicle's ignition is switched on, the sensor requests a breath test from the driver. If the device detects an alcohol value above the set limit, it prevents the engine from being started.

1.2 Legal Information

Copyright © 2021 Ruptela. All rights reserved. Reproduction, transfer, distribution or storage of parts or all of the contents in this document in any form without the prior written permission of Ruptela is prohibited. Other products and company names mentioned in this document are trademarks or trade names of their respective owners.

1.3 Compatibility

The interlock device is compatible with the following devices with the newest firmware version:

- HCV5
- LCV5
- Pro5
- FM-Tco4 HCV
- FM-Tco4 LCV
- FM-Pro4
- FM-Eco4 S
- FM-Eco4 T

1.4 Contact Information

General enquiries

Website: ruptela.com

E-mail: info@ruptela.com

Phone: +370 5 2045188

Technical support

E-mail: support@ruptela.com

Phone: +370 5 2045030

1.5 Document Changelog

Version	Date	Modification
2.0	2021-03-22	Updated: Manual structure and design.

1.6 Notations

The following notations are used in this document to highlight important information:

Bold text

Used to indicate user interface elements or for emphasis.

Italic text

Used to indicate items that belong to a list and can be selected.

Note

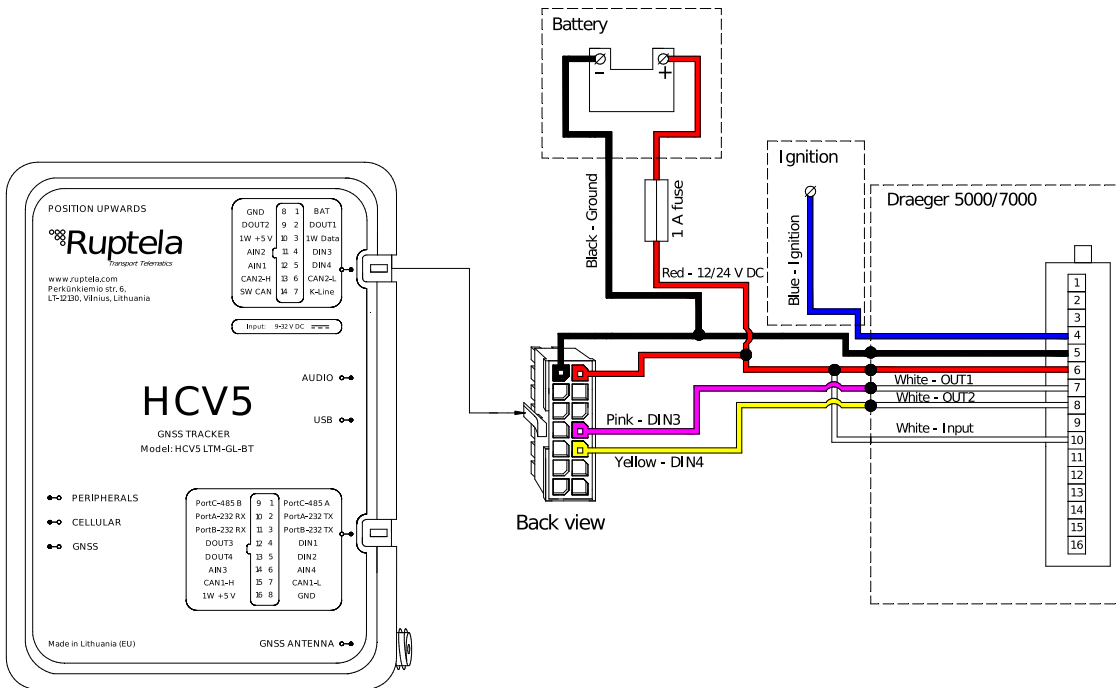


Used to highlight important information or special conditions.

2 Connection

2.1 Connection to 5th Gen Advanced Family Devices

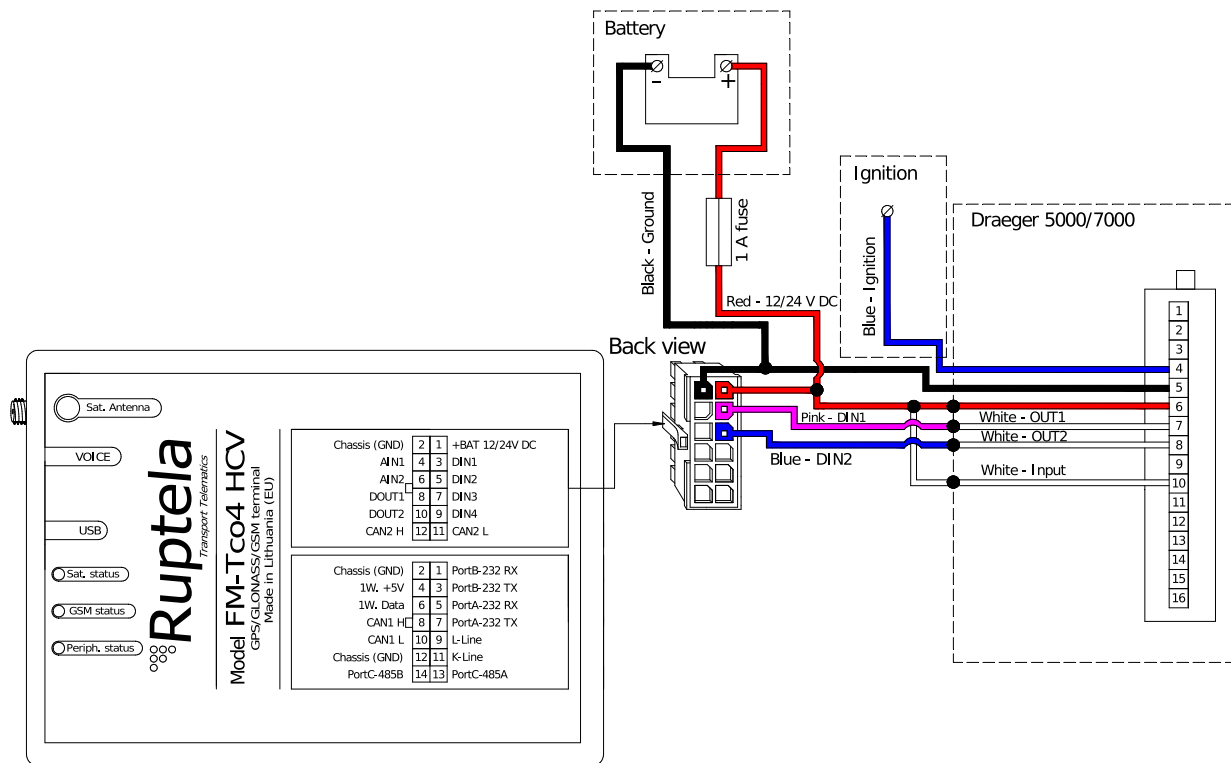
Connect the interlock device to your tracking device as follows:



Alternatively, OUT1 and OUT2 can be connected to DIN1 (yellow/black wire, pin 4), DIN2 (pink/black wire, pin 5).

2.2 Connection to 4th Gen Advanced Family Devices

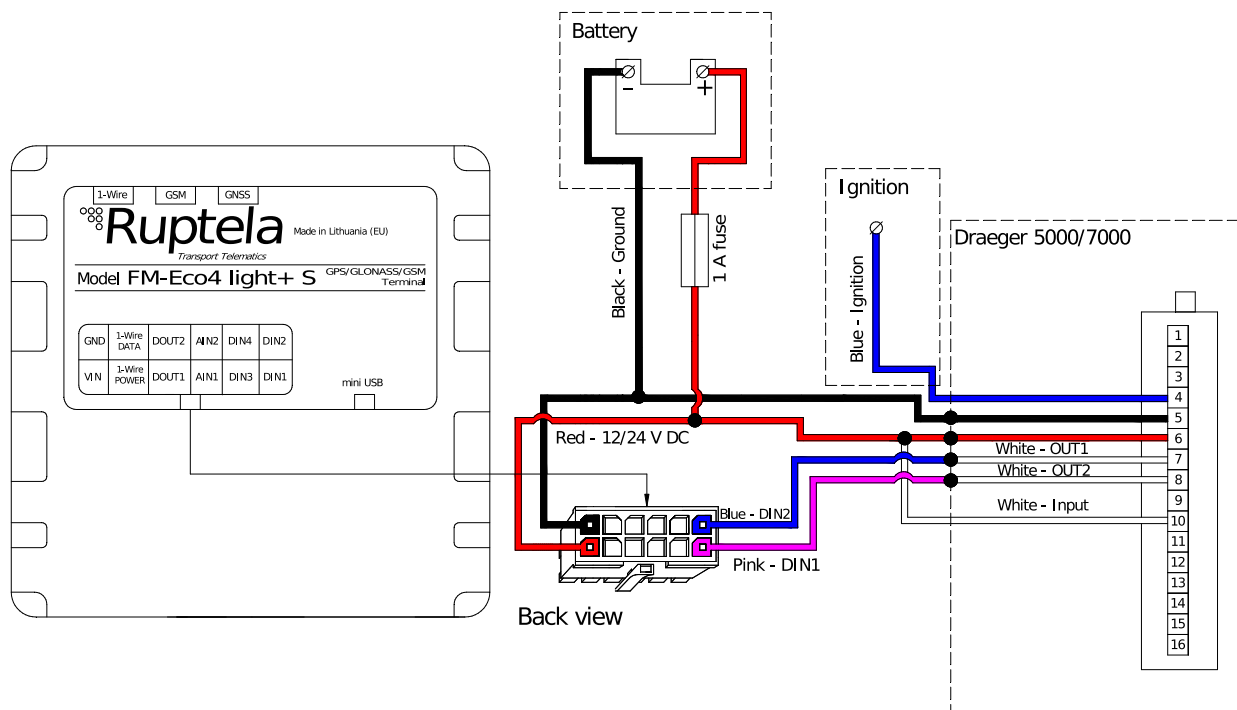
Connect the interlock device to your tracking device as follows:



Alternatively, OUT1 and OUT2 can be connected to DIN3 (white wire, pin 7), DIN4 (yellow wire, pin 9).

2.3 Connection to FM-Eco4 Series Device

Connect the interlock device to your tracking device as follows:



Alternatively, OUT1 and OUT2 can be connected to DIN3 (white wire, pin 7), DIN4 (yellow wire, pin 9).

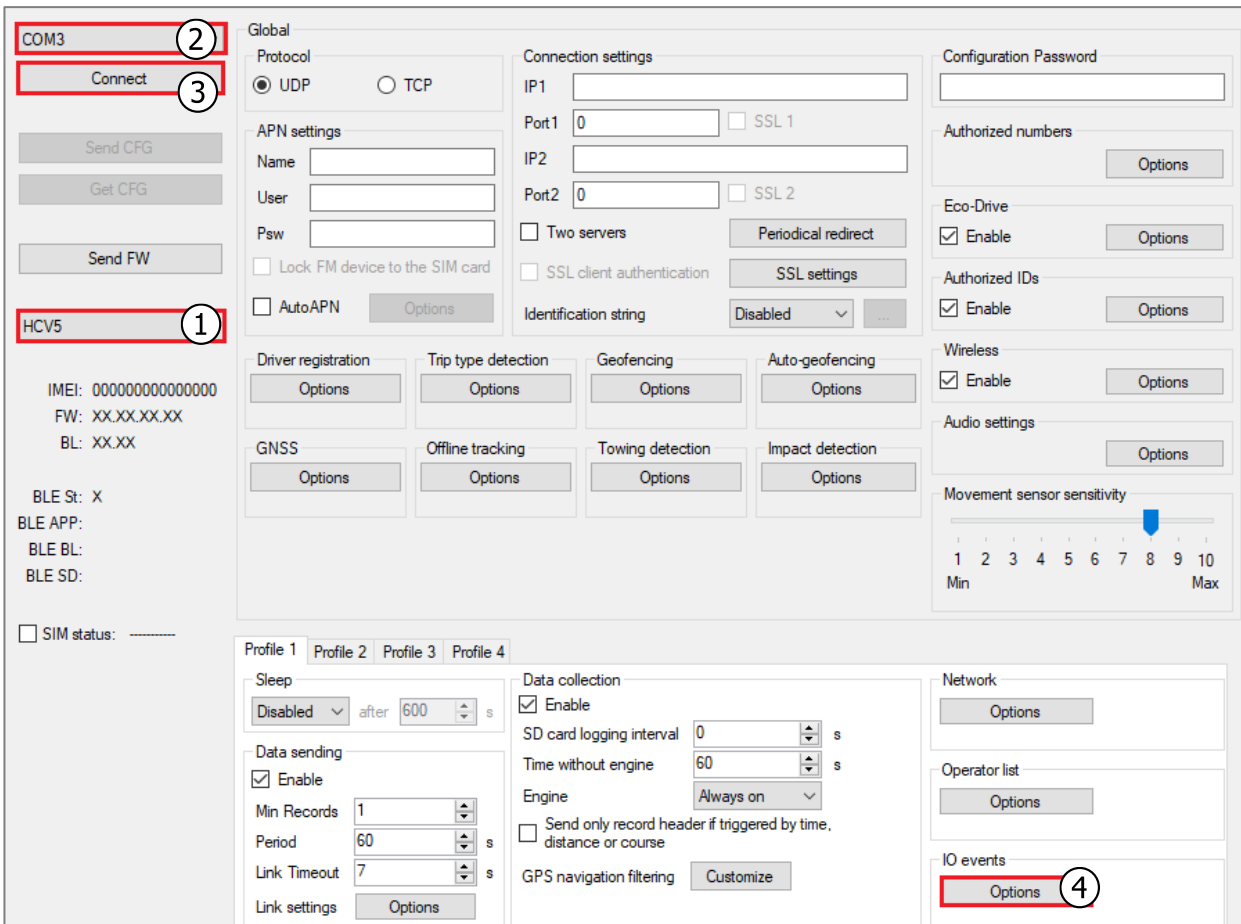
3 Configuration

i This functionality requires the use of the advanced configurator.

3.1 Starting the Configuration

To start the configuration, follow these steps:

1. Open the advanced configurator. Select your tracking device.
2. Select the COM port to which your device is connected.
3. Click **Connect**.
4. Click the **Options** button in the **IO events** section to open the **IO Settings** window.



3.2 Configuring the Interlock Device

Follow these steps to configure the interlock device:

1. Select an empty parameter slot.
2. In the **ID** section select *DINX* from the drop-down list for the same DIN that you used for the connection.
3. Enable the slot by ticking the **Enable** checkbox.
4. Set **Event on** to *Change*.
5. Repeat steps 1-4 and select another DIN.

The screenshot shows the 'IO settings' window with the following configuration steps highlighted:

- 1**: Select parameter slot '1 : DIN3'.
- 2**: Set the 'ID' to 'DIN3'.
- 3**: Check the 'Enable' checkbox.
- 4**: Set 'Event on' to 'Change'.

Other visible settings include:

- Level: 0
- Delta: 0
- Debounce: 1000 ms
- Priority: Low
- Switch to: No Switch
- Interfaces: Port A, Port B, Port C, K-Line, CAN, CAN2, 1-Wire (all unchecked)
- DIN1 mode: Positive mode
- DIN2 mode: Positive mode
- DIN3 mode: Positive mode
- DIN4 mode: Positive mode
- Digital outputs: DOUT1-DOUT4 (all Disabled)

3.3 Finishing the Configuration

To finish the configuration, close the **IO settings** windows. Click **Send CFG** to send the configuration to the device.

