

# Garmin connection

## Introduction

Garmin models that support FMI cable can be connected to the Ruptela's FM devices. Ruptela is providing these Garmin models: DEZL 560LMT and DEZL 760LMT.

### Main features:

- Communication with driver (messaging)
- Send routes and destination points
- FMI 15 cable support

## Compatibility

Garmins are compatible with the following Ruptela FM devices with the latest firmware version:

- FM-Tco4 HCV
- FM-Tco4 LCV
- FM-Pro4

You can get the latest firmware and configurator from our documentation website: [doc.ruptela.lt](http://doc.ruptela.lt)

## Legal notice

Copyright © 2019 Ruptela. All rights reserved. Reproduction, transfer, distribution or storage of parts or all of the contents in this document in any form without the prior written permission of Ruptela is prohibited. Other products and company names mentioned in this document are trademarks or trade names of their respective owners.

## Document change log

Date	Version	Change details
2014-12-17	1.0	Initial draft.
2015-04-08	1.1	Branding changes.
2017-03-23	1.2	Added Garmin commands supported by TrustTrack.
2019-05-29	1.3	Removed connection schematic and configuration of the FM3 devices. Updated connection schematic.

## Garmin commands supported by TrustTrack

FM device acts as an intermediary between the Garmin device and the TrustTrack system. TrustTrack supports a subset of Garmin protocols. TrustTrack service, which communicates with Ruptela devices (DCS) supports these commands:

### A602

- Server to Client Open Text Message Protocol (Deprecated)
- Server to Client Simple Okay Acknowledgement Text Message Protocol (Deprecated)
- Server to Client Yes/No Confirmation Text Message Protocol (Deprecated)
- Stop Protocol

### A603

- Auto-Arrival at Stop Protocol
- Data Deletion Protocol
- Estimated Time of Arrival (ETA)
- Client to Server Open Text Message Protocol (Deprecated)
- Stop status protocols

### A604

- Message status protocol
- Server to client open text message

### A605

- Ping (communication link status) protocol
- Message Throttling Query Protocol

### A607

- Client to Server Open Text Message

### A611

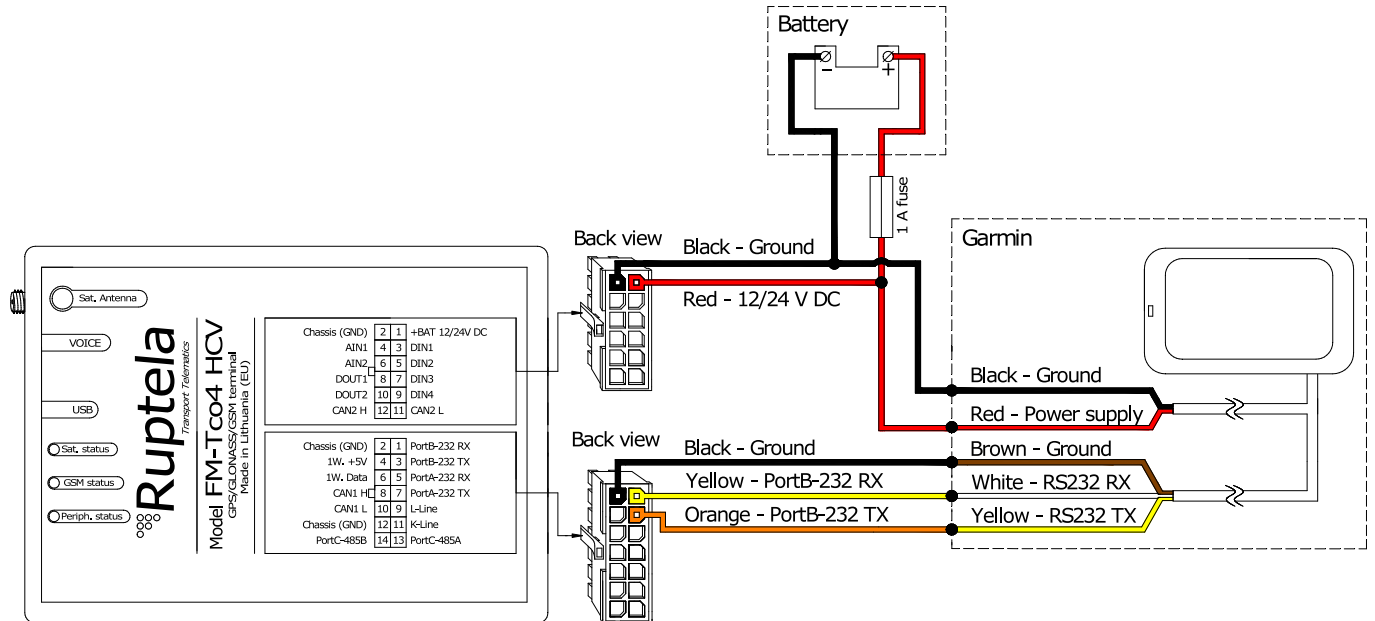
- Server to client long text message protocol
- Other Features
- Product ID and Support

### Features implemented in TrustTrack's frontend and available for end-users:

- Text message sending to Garmin;
- Okay Acknowledgement Text Message to Garmin;
- Yes/No Confirmation Text Message to Garmin;
- Text message from Garmin to Trust-Track;
- Message Status;
- Sending route to Garmin;
- Route activation/deactivation/marketing as "done"/deleting;
- Estimated Time of Arrival (ETA);
- Stop protocol (Mark destination as done when: vehicle is closer than "x" meters to destination / Stops there for minimum: "t" seconds).

## Connection

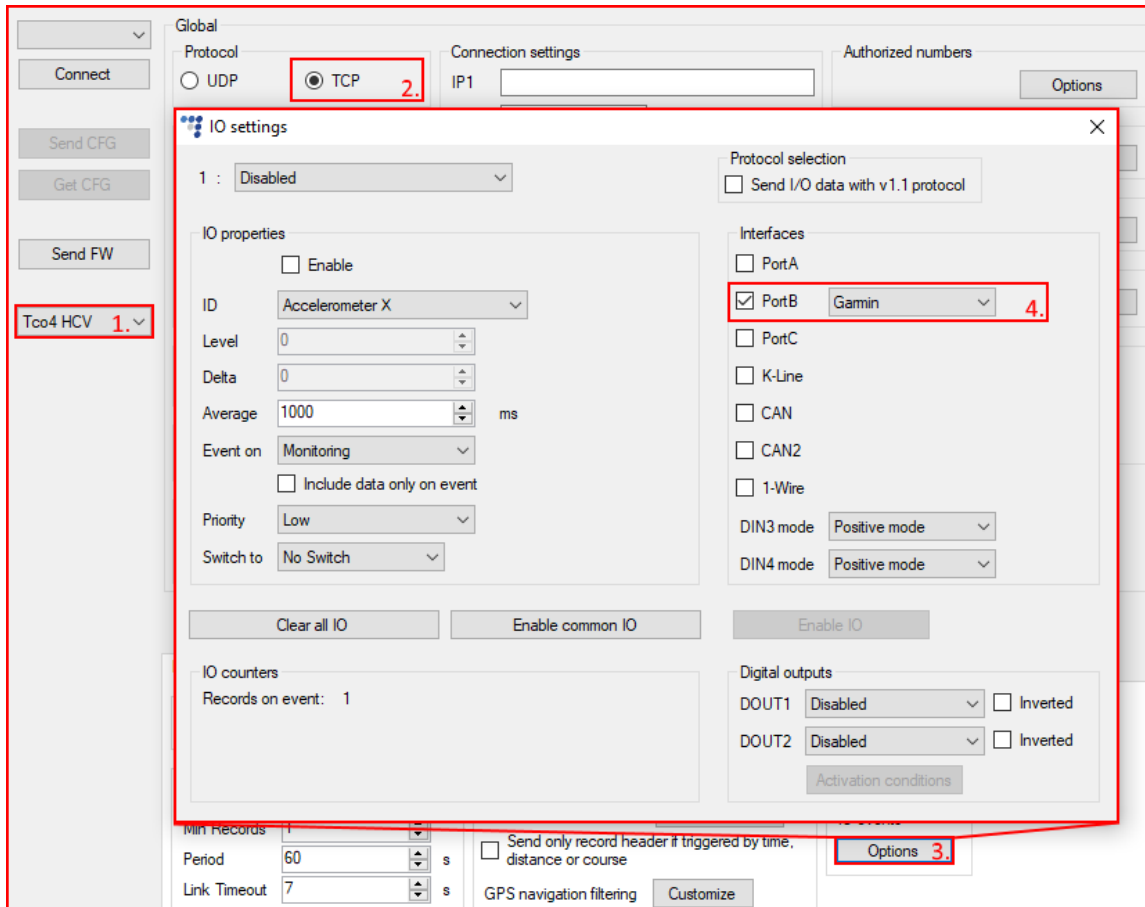
Connect the Garmin to your FM device as follows:



## Configuration

Follow these steps to configure your FM device:

1. In the main configurator window choose your device (*FM-Tco4 HCV, FM-Tco4 LCV or FM-Pro4*).
2. In the **Protocol** section tick the **TCP** radial checkbox.
3. **IO events** "Options" button opens up a new **IO settings** window, here you can enable or disable IO parameters.
4. In the **Interfaces** section tick the **PortB** checkbox. In the dropdown menu on the right choose *Garmin*.



## Connection status

Garmin connected correctly:



Garmin connected incorrectly (icons):

