

Garmin Connection

1 Introduction

1.1 About the Functionality

Garmin models that support FMI cables can be connected to Ruptela tracking devices. Ruptela provides these Garmin models: DEZL 560LMT and DEZL 760LMT.

Main Features:

- Communication with driver (messaging)
- Send routes and destination points
- FMI 15 cable support

1.2 Legal Information

Copyright © 2020 Ruptela. All rights reserved. Reproduction, transfer, distribution or storage of parts or all of the contents in this document in any form without the prior written permission of Ruptela is prohibited. Other products and company names mentioned in this document are trademarks or trade names of their respective owners.

1.3 Compatibility

This functionality is compatible with the following devices with the newest firmware version:

- HCV5
- LCV5
- Pro5
- FM-Tco4 HCV
- FM-Tco4 LCV
- FM-Pro4

You can get the latest firmware and configurator from our documentation website: doc.ruptela.it

1.4 Document Changelog

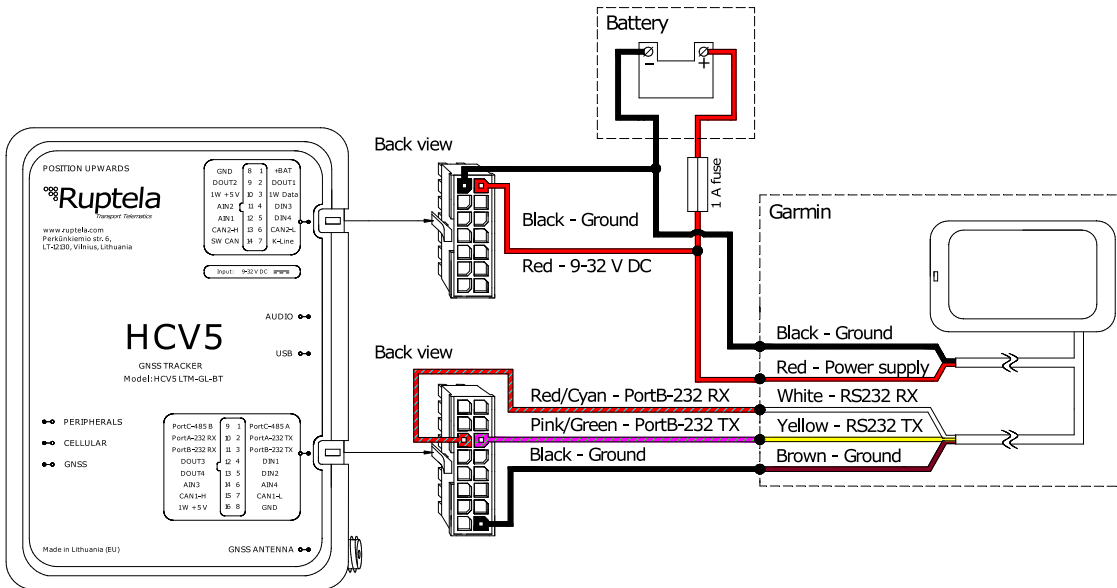
Version	Date	Modification
2.0	2020-10-26	Added: Connection schematic to 5 th gen devices. Updated: New design, supported device list.

2 Connection

i TX and RX wires can be connected to Port B only.

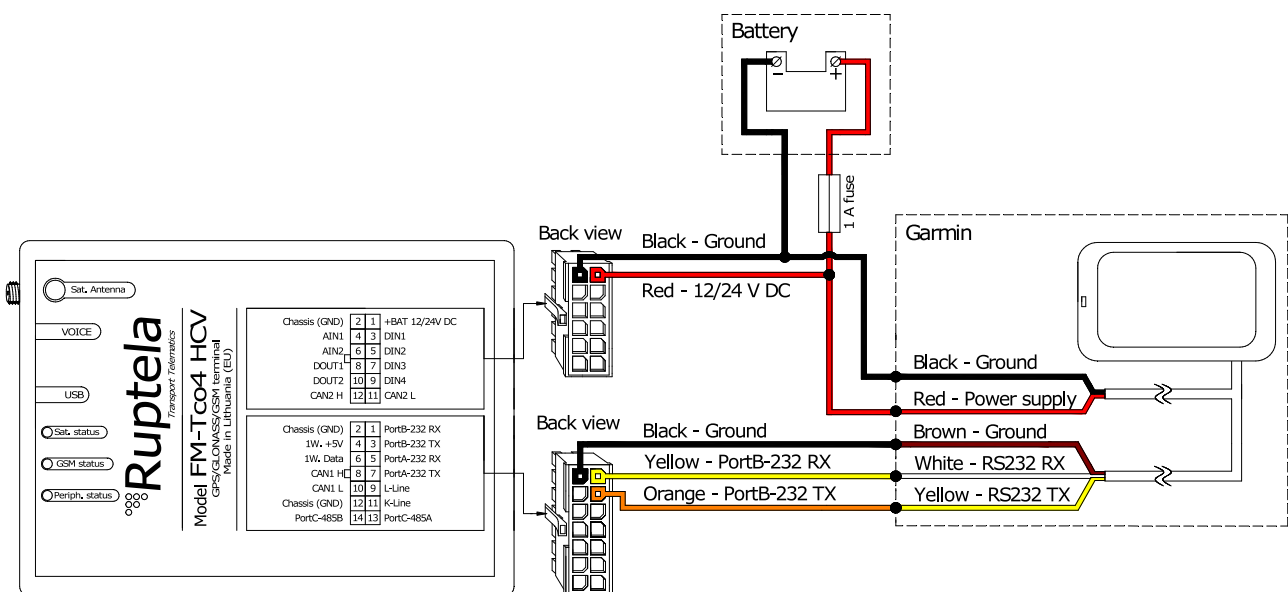
2.1 Connection to 5th Gen Advanced Family Device

Connect the Garmin to your tracking device as follows:



2.2 Connection to 4th Gen Advanced Family Device

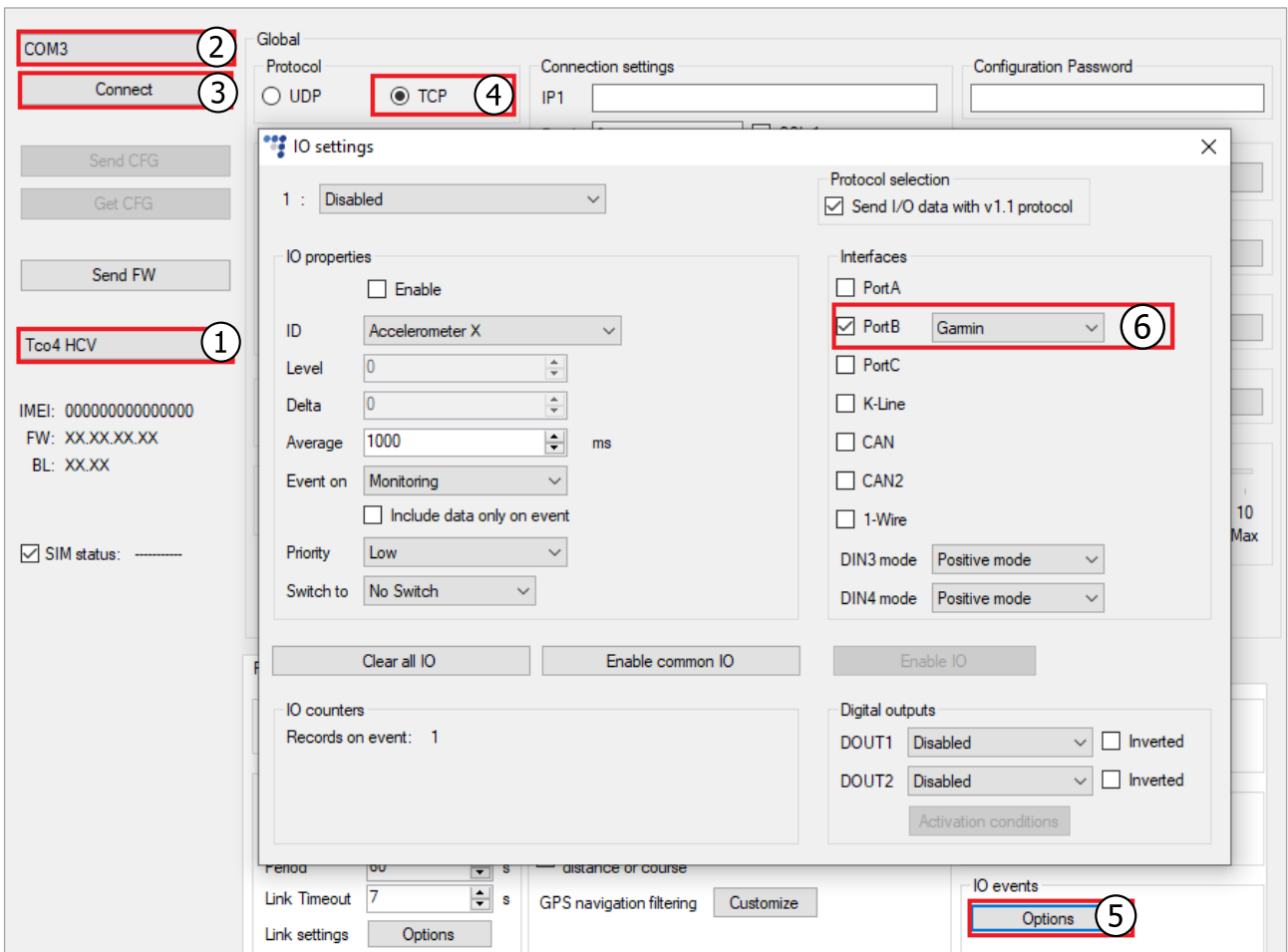
Connect the Garmin to your tracking device as follows:



3 Configuration

Follow these steps to configure your tracking device:

1. Open the advanced configurator. Select your tracking device.
2. Select the COM port to which your device is connected.
3. Click **Connect**.
4. Select TCP in the **Protocol** section.
5. Click the **Options** button in the **IO events** section to open the **IO Settings** window.
6. In the **Interfaces** section tick the **PortB** checkbox. In the dropdown menu on the right select *Garmin*.



4 Connection status

Garmin connected correctly:



Garmin connected incorrectly (icons):



5 Garmin commands supported by TrustTrack

The tracking device acts as an intermediary between the Garmin device and the TrustTrack system. TrustTrack supports a subset of Garmin protocols. TrustTrack service, which communicates with Ruptela devices (DCS) supports these commands:

A602

- Server to Client Open Text Message Protocol (Deprecated)
- Server to Client Simple Okay Acknowledgement Text Message Protocol (Deprecated)
- Protocol (Deprecated)
- Server to Client Yes/No Confirmation Text Message Protocol (Deprecated)
- (Deprecated)
- Stop Protocol

A603

- Auto-Arrival at Stop Protocol
- Data Deletion Protocol
- Estimated Time of Arrival (ETA)
- Client to Server Open Text Message Protocol (Deprecated)
- Stop status protocols

A604

- Message status
- Server to client open text message

A605

- Ping (communication link status) protocol
- Message Throttling Query Protocol

A607

- Client to Server Open Text Message

A611

- Server to client long text message protocol
- Other Features
- Product ID and Support

Features implemented in TrustTrack's frontend and available for end-user's:

- Text message sending to Garmin
- Okay Acknowledgement Text Message to Garmin
- Yes/No Confirmation Text Message to Garmin
- Text message from Garmin to TrustTrack
- Message Status
- Sending route to Garmin
- Route activation/deactivation/marketing as "done"/deleting
- Estimated Time of Arrival (ETA)
- Stop protocol (Mark destination as done when: vehicle is closer than "x" meters to destination / Stops there for minimum: "t" seconds).