

# Push-to-talk

## 1 Introduction

### 1.1 About the Accessory

Push-to-talk is a device that allows to call the tracking device and talk directly to the driver. The communication is half duplex (one way). When the button is released, the driver can only hear the caller, when the button is pressed, the driver can talk.

### 1.2 Legal Information

Copyright © 2021 Ruptela. All rights reserved. Reproduction, transfer, distribution or storage of parts or all of the contents in this document in any form without the prior written permission of Ruptela is prohibited. Other products and company names mentioned in this document are trademarks or trade names of their respective owners.

### 1.3 Compatibility

Push-to-talk compatible with the following devices with the newest firmware version:

- HCV5 (only 2G/3G variations)
- LCV5 (only 2G/3G variations)
- Pro5 (only 2G/3G variations)
- FM-Tco4 HCV
- FM-Tco4 LCV
- FM-Pro4

## 1.4 Contact Information

### General enquiries

Website: [ruptela.com](http://ruptela.com)

E-mail: [info@ruptela.com](mailto:info@ruptela.com)

Phone: +370 5 2045188

### Technical support

E-mail : [support@ruptela.com](mailto:support@ruptela.com)

Phone: +370 5 2045030

## 1.5 Document Changelog

Version	Date	Modification
1.0	2021-02-15	Initial draft.

## 1.6 Notations

The following notations are used in this document to highlight important information:

### **Bold text**

Used to indicate user interface elements or for emphasis.

### *Italic text*

Used to indicate items that belong to a list and can be selected.

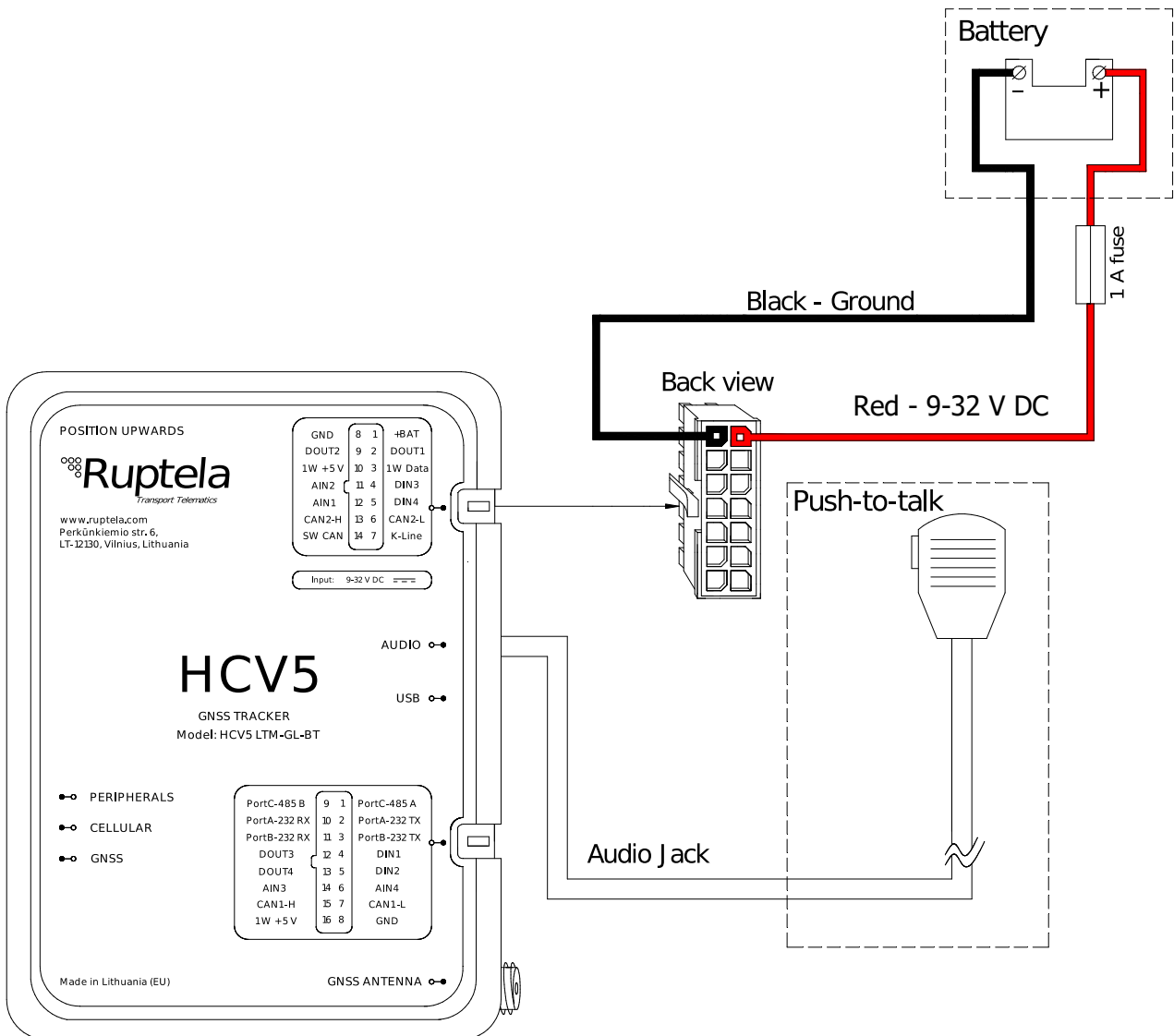
## 1.7 References

Datasheet: <https://doc.ruptela.lt/display/AB/Accessories>

## 2 Connection

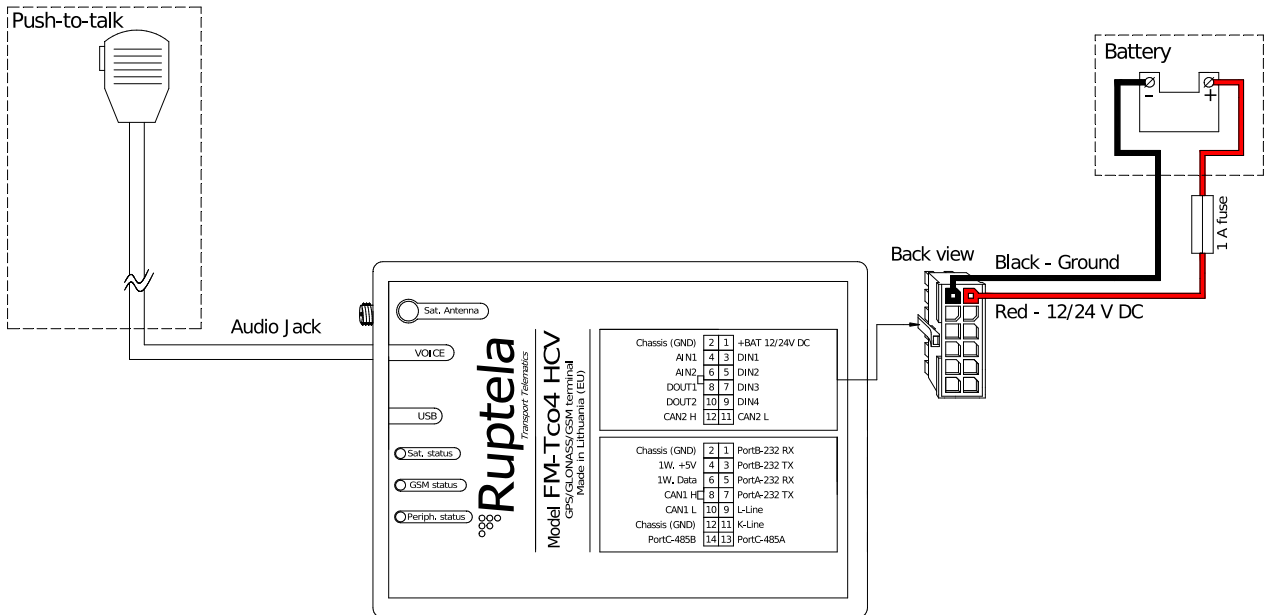
### 2.1 Connection to 5<sup>th</sup> Generation Advanced Family Devices

Connect push-to-talk to your tracking device as follows:



## 2.2 Connection to 4<sup>th</sup> Generation Advanced Family Devices

Connect push-to-talk to your tracking device as follows:



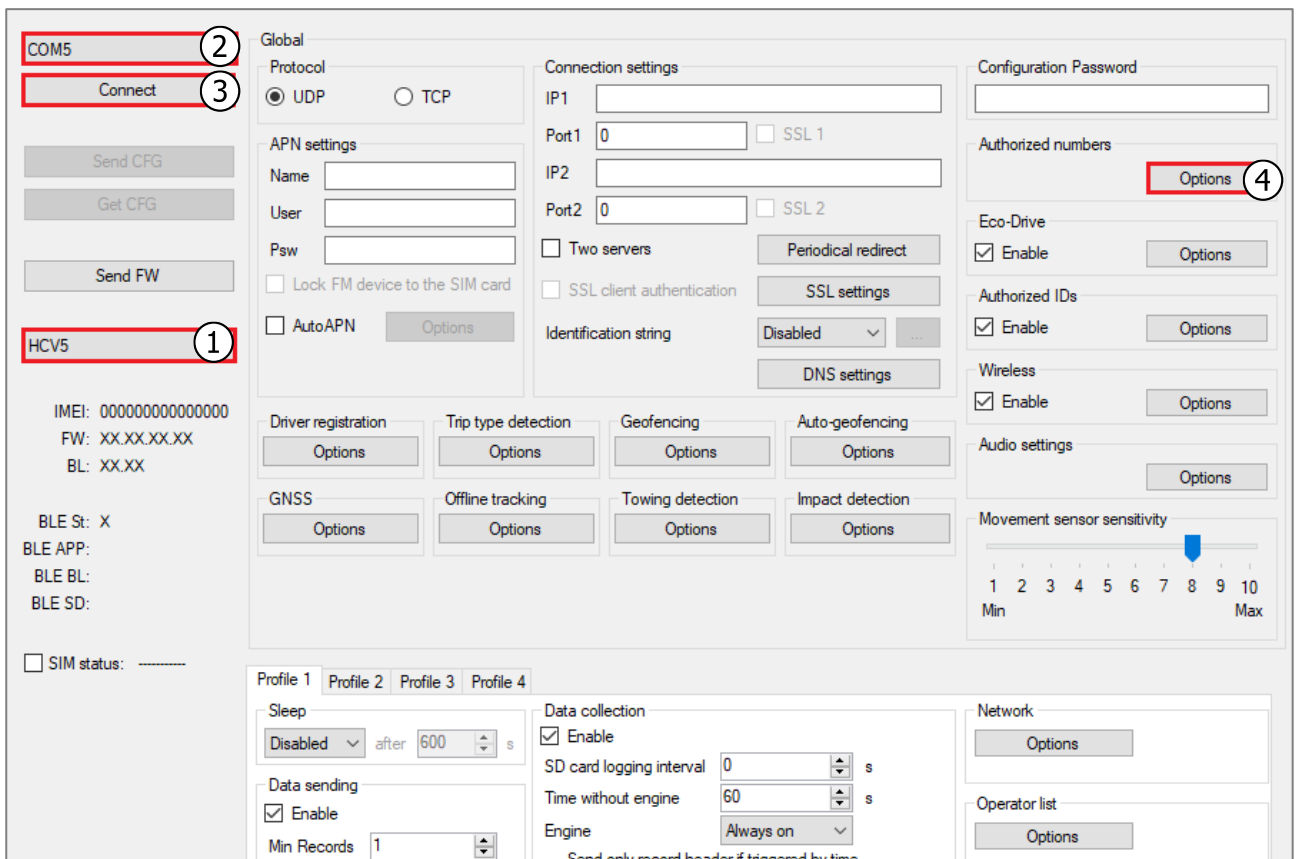
# 3 Configuration

**i** This functionality requires the use of the advanced configurator.

## 3.1 Starting the Configuration

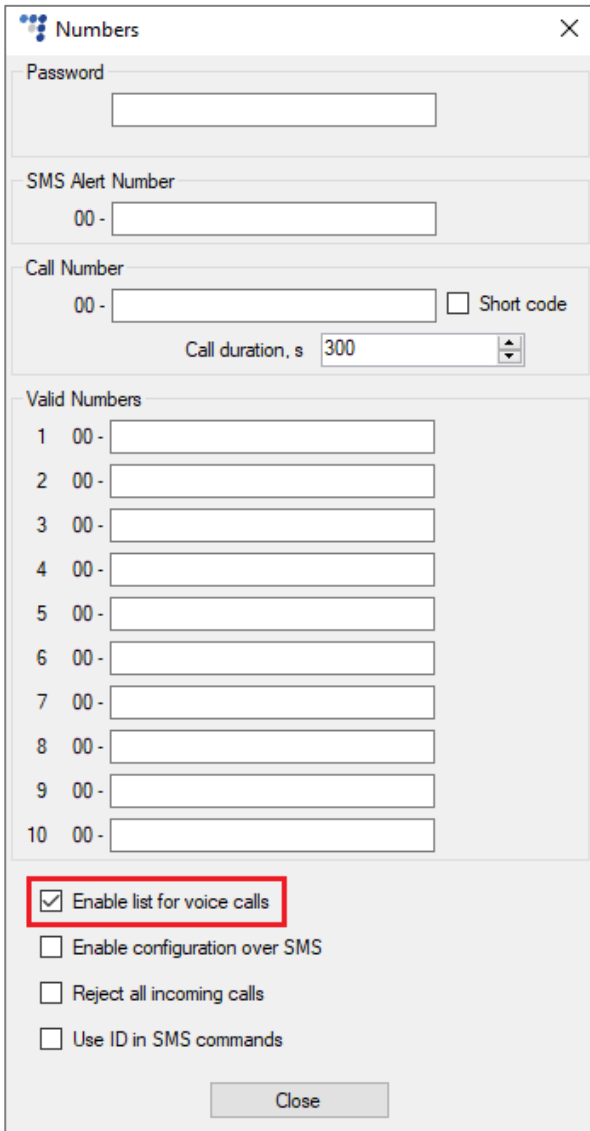
To start the configuration, follow these steps:

1. Open the advanced configurator. Select your tracking device.
2. Select a COM port to which your device is connected.
3. Click **Connect**.
4. Click the **Options** button in the **Authorized numbers** section to open the **Numbers** window.



## 3.2 Configuring Push-to-Talk

To configure the push-to-talk, calling the tracking device must be enabled. To enable calling the tracking device, tick the **Enable list for voice calls** checkbox.



The screenshot shows a configuration window titled "Numbers" with a close button (X) in the top right corner. The window is divided into several sections:

- Password:** A text input field.
- SMS Alert Number:** A text input field with "00-" prefix.
- Call Number:** A text input field with "00-" prefix and a "Short code" checkbox.
- Call duration, s:** A spinner control set to "300".
- Valid Numbers:** A list of 10 items, each with a number (1-10) and a text input field with "00-" prefix.
- Checkboxes:** Four checkboxes are located at the bottom:
  - Enable list for voice calls** (highlighted with a red box)
  - Enable configuration over SMS
  - Reject all incoming calls
  - Use ID in SMS commands
- Close:** A button at the bottom center.

### 3.3 Finishing the Configuration

To finish the configuration, close the **Numbers** window. Click **Send CFG** to send the configuration to the device.

The screenshot shows a configuration window for a device. On the left, there are two dropdown menus: 'COM5' and 'HCV5'. Below them are buttons for 'Disconnect', 'Send CFG' (highlighted with a red box), 'Get CFG', and 'Send FW'. Further down, there are fields for 'IMEI: 866600049035322', 'FW: 00.03.60.03', 'BL: 0x54 0x2d', and 'BLE St: (5) No power'. The main area is divided into several sections:

- Global:** Protocol (UDP selected, TCP unselected).
- APN settings:** Name, User, Psw, Lock FM device to the SIM card, and AutoAPN (with an Options button).
- Connection settings:** IP1, Port1 (0), IP2, Port2 (0), Two servers, SSL client authentication, Identification string, Periodical redirect, SSL settings, and DNS settings.
- Driver registration, Trip type detection, Geofencing, Auto-geofencing, GNSS, Offline tracking, Towing detection, Impact detection:** Each has an Options button.
- Configuration Password:** A text input field.
- Authorized numbers:** An Options button.
- Eco-Drive:** Enable checkbox (checked) and an Options button.
- Authorized IDs:** Enable checkbox (checked) and an Options button.
- Wireless:** Enable checkbox (checked) and an Options button.
- Audio settings:** An Options button.
- Movement sensor sensitivity:** A slider from 1 (Min) to 10 (Max), with a blue marker at 8.