

## Standard OBD Splitter-Harness

Effortless and quick installation of the advanced family GPS trackers with more versatility.

The **Standard OBD Splitter-Harness** is used to install advanced trackers to passenger vehicles, light commercial vehicles, vans, pickup trucks, and other vehicles with OBD2 socket. CANbus data reading is available using OBD2 harness. The connection via OBD2 can also be used as a power source. Spare OBD2 socket stays available for vehicle diagnostics.

### Applications

- OBD CANbus data reading

### Key Features

- Concealed installation, replaces the original OBD2 socket.
- Mounting adapters for the most popular vehicle brands
- No physical manipulation with vehicle wires during installation – not voiding the warranty
- Prevents tampering with installation
- Allows to connect 3<sup>rd</sup> party test tools during vehicle maintenance

### Compatibility

✓ HCV5

✓ LCV5

⊘ Pro5

⊘ Trace5

## Detailed specifications

### Environmental specifications

<b>Temperature range</b>	-35 to +75 °C
--------------------------	---------------

### Electrical specifications

<b>Voltage range</b>	Up to 32 V DC
----------------------	---------------

### Physical properties

<b>Connector type</b>	OBD2 (Type B 24 V, 16 pin)
-----------------------	----------------------------

<b>CAN interfaces</b>	2
-----------------------	---

<b>Wire cross-sectional area</b>	0.5 mm <sup>2</sup> (20 AWG)
----------------------------------	------------------------------

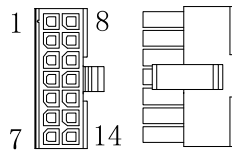
<b>Cable length</b>	0.75 m
---------------------	--------

<b>Accessory wire length</b>	0.5 m
------------------------------	-------

# Detailed specifications

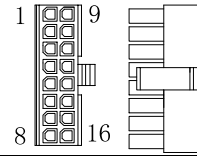
## Standard OBD2 Splitter-Harness Pinout (K00097)

### 14 pin connector P3



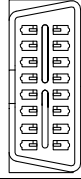
Pin	Wire color	Function
1	Red	Power supply (9-32 V)
2	Purple	DOUT1
3	Green/Yellow	1-Wire data
4	Pink	DIN3
5	Yellow	DIN4
6	Blue	CAN Low
7	Brown	K-Line
8	Black	Ground
9	Orange	DOUT2
10	Red/Yellow	1-Wire power
11	Green	AIN2
12	Grey	AIN1
13	White	CAN High
14	Green/White	Single-Wire CAN

### 16 pin connector P4

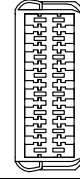


Pin	Wire color	Function
1	White/Brown	RS485 line A
2	Green/Brown	Port A RS232 TX
3	Pink/Green	Port B RS232 TX
4	Yellow/Black	DIN1
5	Pink/Black	DIN2
6	White/Green	AIN4
7	Blue/Red	CAN Low
8	Black	Ground
9	Yellow/Brown	RS485 line B
10	Blue/Yellow	PortA RS232 RX
11	Red/Cyan	PortB RS232 RX
12	White/Purple	DOUT3
13	White/Orange	DOUT4
14	White/Grey	AIN3
15	White/Red	CAN High
16	Red/Yellow	1-Wire power

### OBD2 connector P2



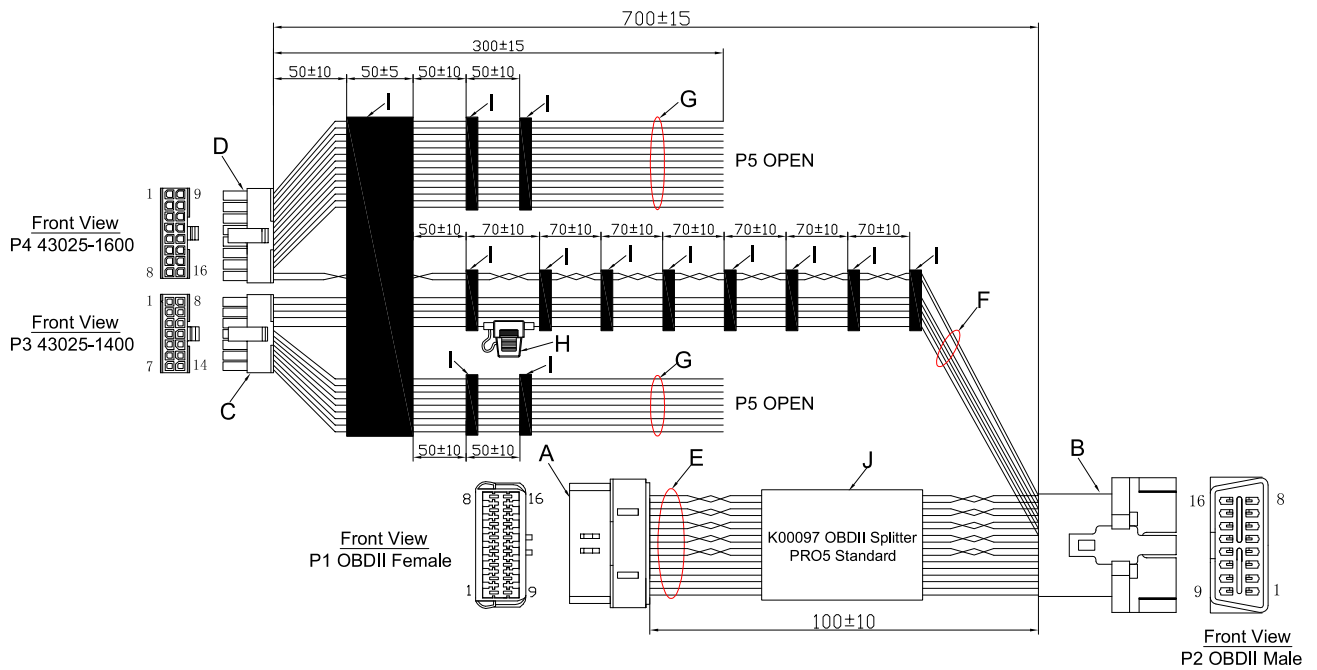
### OBD2 connector P1



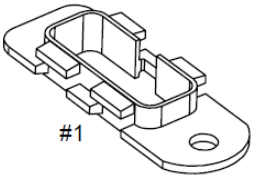
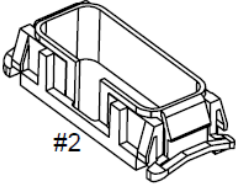
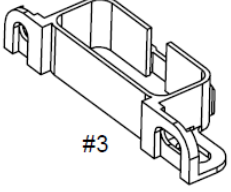
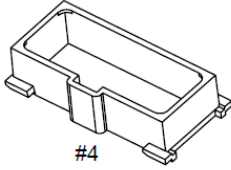
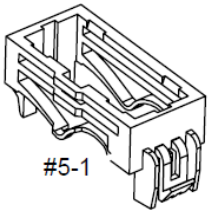
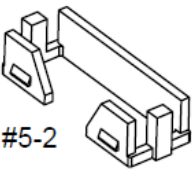
Pin	Wire color	Function
1	Green/White	Manufacturer-specific
2	Orange/Red	Manufacturer-specific
3	Blue/White	Manufacturer-specific
4	Black	Ground
5	Grey	AIN1
6	White/Red	CAN High
7	Brown	K-Line
8	Red/White	Manufacturer-specific
9	Green	Manufacturer-specific
10	Orange	Manufacturer-specific
11	Blue	Manufacturer-specific
12	Grey/Black	Manufacturer-specific
13	Yellow/Red	Manufacturer-specific
14	Blue/Red	CAN Low
15	Orange/Brown	Manufacturer-specific
16	Red	Power supply

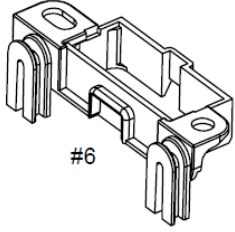
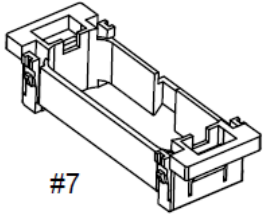
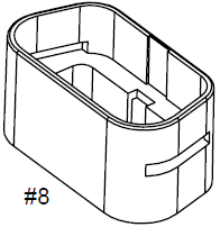
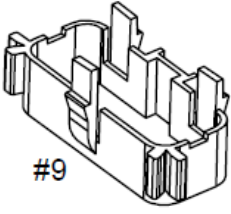
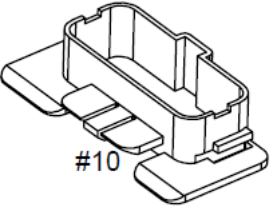
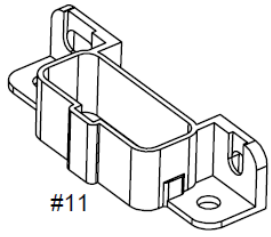
Pin	Wire color	Function
1	Green/White	Manufacturer-specific
2	Orange/Red	Manufacturer-specific
3	Blue/White	Manufacturer-specific
4	Black	Ground
5	Grey	AIN1
6	White/Red	CAN High
7	Brown	K-Line
8	Red/White	Manufacturer-specific
9	Green	Manufacturer-specific
10	Orange	Manufacturer-specific
11	Blue	Manufacturer-specific
12	Grey/Black	Manufacturer-specific
13	Yellow/Red	Manufacturer-specific
14	Blue/Red	CAN Low
15	Orange/Brown	Manufacturer-specific
16	Red	Power supply

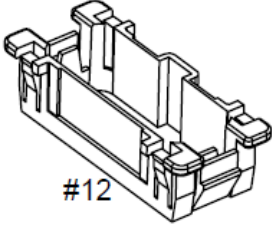
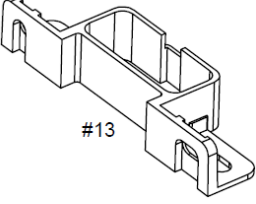
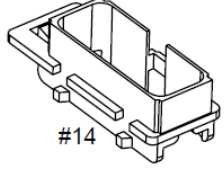
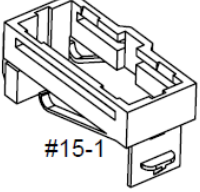
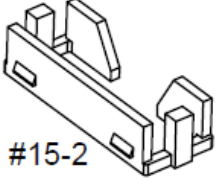
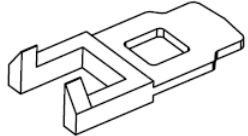
### Standard OBD2 Splitter-Harness wiring schematics (K00097)



## Mountings

No.	Picture	Compatible brand
1.	 <p>#1</p>	Volvo
2.	 <p>#2</p>	Chrysler Hyundai
3.	 <p>#3</p>	BMW
4.	 <p>#4</p>	Mercedes BMW
5-1.	 <p>#5-1</p>	Fiat Citroen Peugeot
5-2.	 <p>#5-2</p>	Fiat Citroen Peugeot

<p><b>6.</b></p>	 <p>#6</p>	<p>BMW</p>
<p><b>7.</b></p>	 <p>#7</p>	<p>Honda</p>
<p><b>8.</b></p>	 <p>#8</p>	<p>Ford</p>
<p><b>9.</b></p>	 <p>#9</p>	<p>Volkswagen Audi</p>
<p><b>10.</b></p>	 <p>#10</p>	<p>Ford GM</p>
<p><b>11.</b></p>	 <p>#11</p>	<p>Ford GM Chrysler</p>

<p><b>12.</b></p>	 <p>#12</p>	<p>Toyota Hyundai Kia Ford Land Rover</p>
<p><b>13.</b></p>	 <p>#13</p>	<p>Ford</p>
<p><b>14.</b></p>	 <p>#14</p>	<p>Iveco</p>
<p><b>15.</b></p>	 <p>#15-1</p>	<p>Citroen</p>
<p><b>16.</b></p>	 <p>#15-2</p>	<p>Citroen</p>
<p><b>17.</b></p>		<p>Clip remover</p>

## Ordering information

**K00097**

OBD2 Splitter-Harness for advanced tracking devices.

### Contact information:

Perkūnkiemio g. 6  
LT-12130 Vilnius, Lithuania  
Phone: +370 520 451 88  
Web: [www.ruptela.com](http://www.ruptela.com)

Datasheet v1.0  
2020-09-25