



Universal OBD Splitter-Harness

Effortless and quick installation of the advanced family GPS trackers with more versatility.

The **Universal OBD Splitter-Harness** is used to install advanced trackers to passenger vehicles, light commercial vehicles, vans, pickup trucks, and other vehicles with OBD2 socket. CANbus data reading is available using OBD2 harness. The connection via OBD2 can also be used as a power source. Spare OBD2 socket stays available for vehicle diagnostics.

Applications

- OBD CANbus data reading

Key Features

- Concealed installation, replaces the original OBD2 socket.
- Mounting adapters for the most popular vehicle brands
- No physical manipulation with vehicle wires during installation – not voiding the warranty
- Prevents tampering with installation
- Allows to connect 3rd party test tools during vehicle maintenance

Compatibility

✓ HCV5	✓ LCV5	✓ Pro5	⊘ Trace5
--------	--------	--------	----------

Detailed specifications

Environmental specifications

Temperature range	-35 to +75 °C
--------------------------	---------------

Electrical specifications

Voltage range	Up to 32 V DC
----------------------	---------------

Physical properties

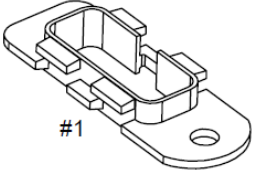
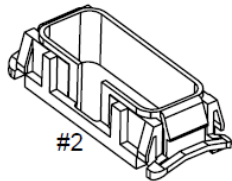
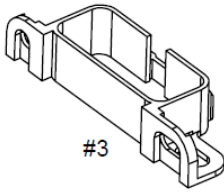
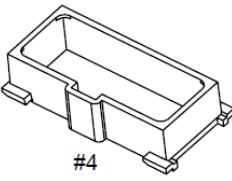
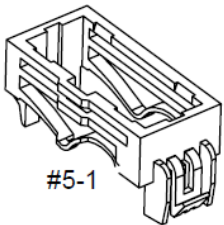
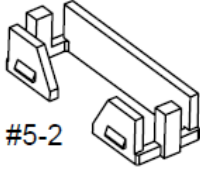
Connector type	OBD2 (Type B 24 V, 16 pin)
-----------------------	----------------------------

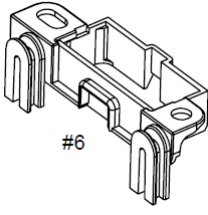
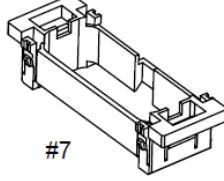
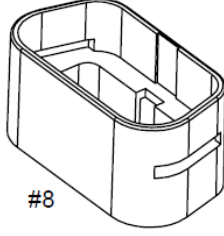
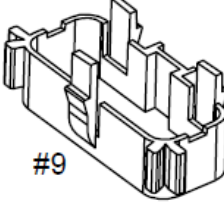
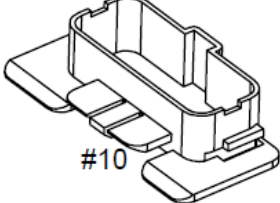
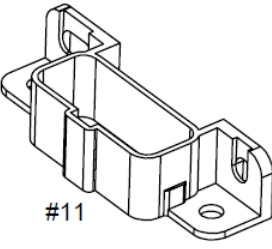
Wire cross-sectional area	0.5 mm ² (20 AWG)
----------------------------------	------------------------------

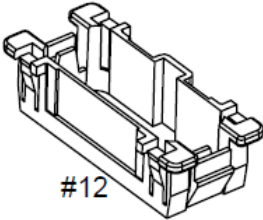
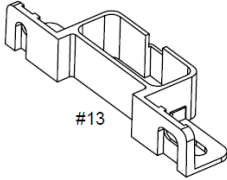
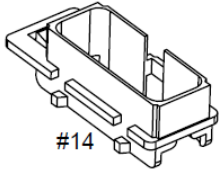
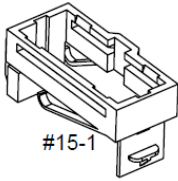
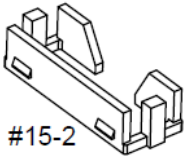
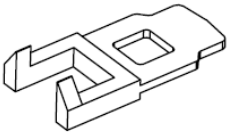
Cable length	0.75 m
---------------------	--------

Accessory wire length	0.5 m
------------------------------	-------

Mountings

No.	Picture	Compatible brand
1.	 <p>#1</p>	Volvo
2.	 <p>#2</p>	Chrysler Hyundai
3.	 <p>#3</p>	BMW
4.	 <p>#4</p>	Mercedes BMW
5-1.	 <p>#5-1</p>	Fiat Citroen Peugeot
5-2.	 <p>#5-2</p>	Fiat Citroen Peugeot

<p>6.</p>	 <p>#6</p>	<p>BMW</p>
<p>7.</p>	 <p>#7</p>	<p>Honda</p>
<p>8.</p>	 <p>#8</p>	<p>Ford</p>
<p>9.</p>	 <p>#9</p>	<p>Volkswagen Audi</p>
<p>10.</p>	 <p>#10</p>	<p>Ford GM</p>
<p>11.</p>	 <p>#11</p>	<p>Ford GM Chrysler</p>

<p>12.</p>	 <p>#12</p>	<p>Toyota Hyundai Kia Ford Land Rover</p>
<p>13.</p>	 <p>#13</p>	<p>Ford</p>
<p>14.</p>	 <p>#14</p>	<p>Iveco</p>
<p>15.</p>	 <p>#15-1</p>	<p>Citroen</p>
<p>16.</p>	 <p>#15-2</p>	<p>Citroen</p>
<p>17.</p>		<p>Clip remover</p>

Ordering information

K00096

OBD2 Splitter-Harness for any vehicle with an OBD2 socket.

Contact information:

Perkūnkiemio g. 6
LT-12130 Vilnius, Lithuania
Phone: +370 520 451 88
Web: www.ruptela.com

Datasheet v1.0
2020-09-25