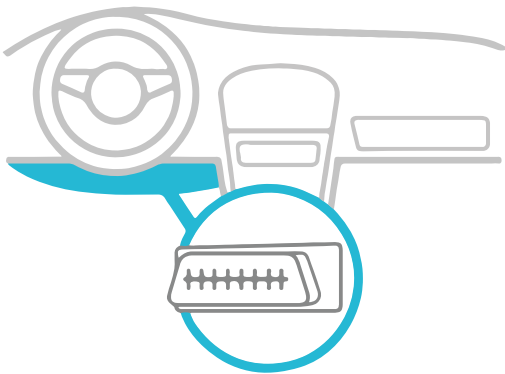


Installation Instruction

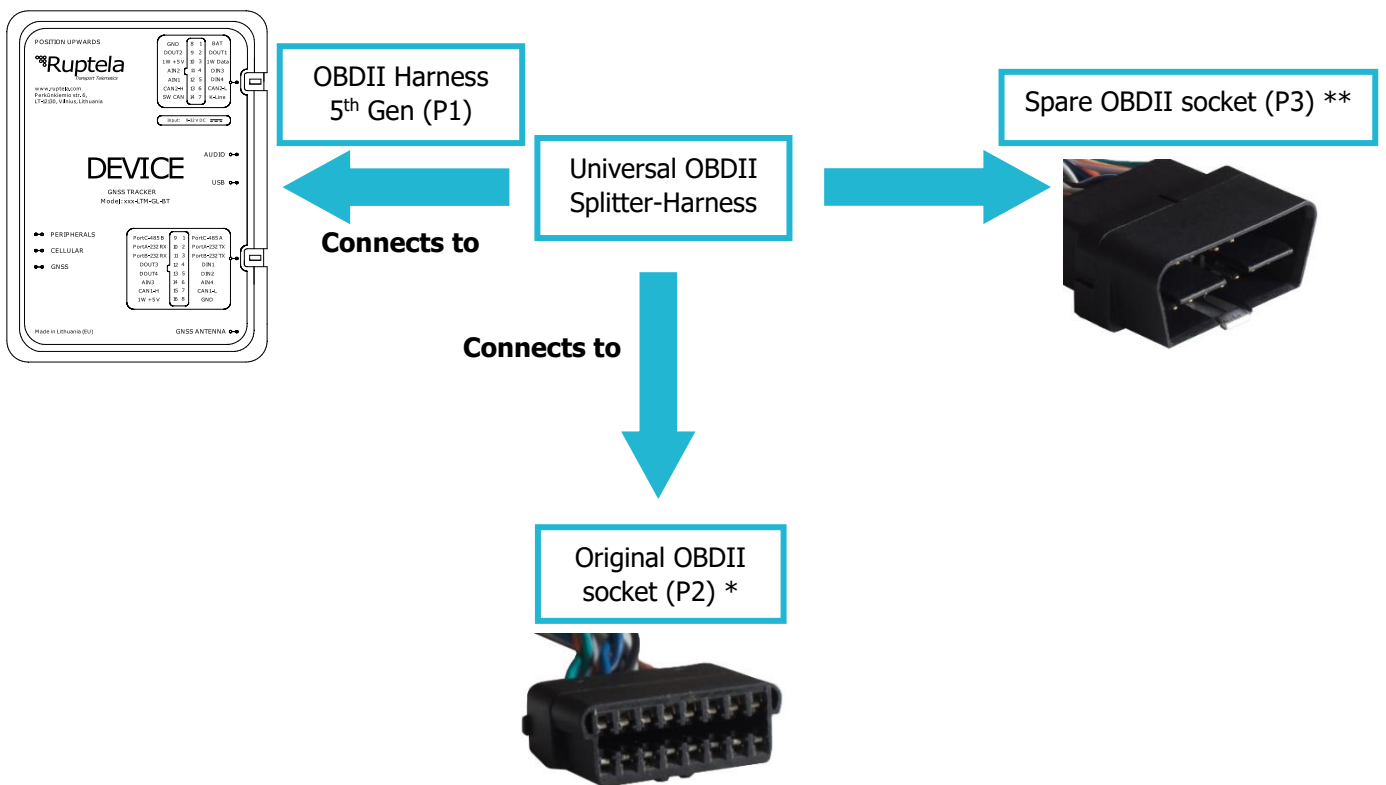
Universal OBDII Splitter-Harness

Connection Location

The OBDII socket usually can be found on the driver side near the steering wheel. You will need to take the original socket out of its mounting place.



Simplified Schematic



* - P2 connector replaces the OEM OBDII connector (using connector mountings).

** - P3 connector connects to the removed OEM OBDII connector.

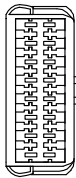
Installation

Follow these steps to install the Universal OBDII Splitter-Harness:

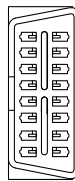
1. Find your vehicle's OBDII socket.
2. Dismantle the original OBDII socket from its mounting.
3. Connect the Universal OBDII Splitter-Harness to the vehicle's OBDII socket.
4. Connect the Universal OBDII Splitter-Harness to your device by using OBDII Harness 5th Gen.
5. Install the spare OBDII socket from the Universal OBDII Splitter-Harness in the place of the original OBDII socket. Do not forget to use mountings (refer to the datasheet) intended for your vehicle.

Pinout

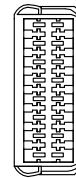
OBDII connector (P1)



OBDII connector (P2)



OBDII connector (P3)



Pin	Wire color	Function
1	Green/White	Manufacturer-specific
2	White/Orange	Manufacturer-specific
3	Blue/White	Manufacturer-specific
4	Black	Ground
5	Grey	AIN1
6	White/Red	CAN High
7	Brown	K-Line
8	Red/White	Manufacturer-specific
9	Green	Manufacturer-specific
10	Orange	Manufacturer-specific
11	Blue	Manufacturer-specific
12	Grey/Black	Manufacturer-specific
13	White/Grey	Manufacturer-specific
14	Blue/Red	CAN Low
15	White/Brown	Manufacturer-specific
16	Red	Power supply

Pin	Wire color	Function
1	Green/White	Manufacturer-specific
2	White/Orange	Manufacturer-specific
3	Blue/White	Manufacturer-specific
4	Black	Ground
5	Grey	AIN1
6	White/Red	CAN High
7	Brown	K-Line
8	Red/White	Manufacturer-specific
9	Green	Manufacturer-specific
10	Orange	Manufacturer-specific
11	Blue	Manufacturer-specific
12	Grey/Black	Manufacturer-specific
13	White/Grey	Manufacturer-specific
14	Blue/Red	CAN Low
15	White/Brown	Manufacturer-specific
16	Red	Power supply

Pin	Wire color	Function
1	Green/White	Manufacturer-specific
2	White/Orange	Manufacturer-specific
3	Blue/White	Manufacturer-specific
4	Black	Ground
5	Grey	AIN1
6	White/Red	CAN High
7	Brown	K-Line
8	Red/White	Manufacturer-specific
9	Green	Manufacturer-specific
10	Orange	Manufacturer-specific
11	Blue	Manufacturer-specific
12	Grey/Black	Manufacturer-specific
13	White/Grey	Manufacturer-specific
14	Blue/Red	CAN Low
15	White/Brown	Manufacturer-specific
16	Red	Power supply

Contact information:

Perkūnkiemio g. 6
 LT-12130 Vilnius, Lithuania
 Phone: +370 520 451 88
 Web: www.ruptela.com

Installation Instruction v1.0
 2020-09-25