

OMNIKEY 3111 installation instructions

HID OMNIKEY 3111 is a high-performance smart card reader for desktop use with multiple standing options in a robust housing. The OMNIKEY 3111 is an easy-to-install serial device suited for all contact smart card operations like online-banking or digital signature applications.

Key Features

- ❖ Multiple standing options in a robust housing
- ❖ Easy-to-install serial device suited for all contact smart card operations
- ❖ All major operating systems supported



Connection to the FM-Tco4/FM-Tco3

Currently on the market there are two different HID OMNIKEY 3111 hardware versions with different wiring schemes. Depending on version that you have received, there are two different ways to connect this card reader to the FM-Tco3/FM-Tco4 device. In order to distinguish between these two versions you will have to measure resistance values between Black and Yellow wires and then, between Blue and Black wires:

- ❖ Resistance between Black and Yellow wires is in kilo ohm range (150 k Ω – 250 k Ω). Resistance between Blue and Black wires is in mega ohm range (1 M Ω – 17 M Ω). If this is the case, use connection **Method 1**. Description available below, in page 2.
- ❖ Resistance between Black and Yellow wires is in mega ohm range (1 M Ω – 17 M Ω). Resistance between Blue and Black wires is in kilo ohm range (150 k Ω – 250 k Ω). If this is the case, use connection **Method 2**. Description available below, in page 2.



Contacts:

Main Support no.: +370 5 2045030
Polish Support no.: +48 22 2092532
Ukrainian Support no.: +380 947 107319

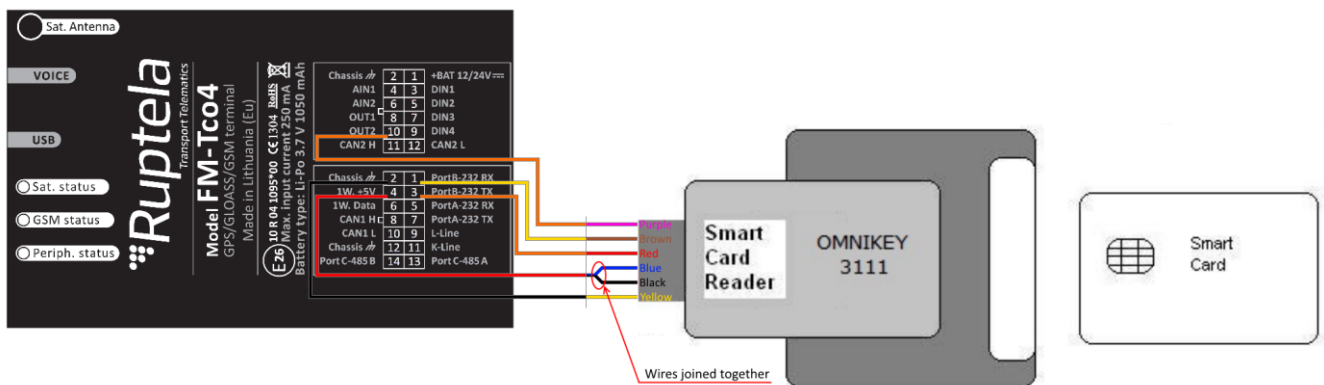
Web: www.ruptela.com

Email: support@ruptela.com

Method 1:

OMNIKEY Card Reader wires should be connected to the following FM Device ports:

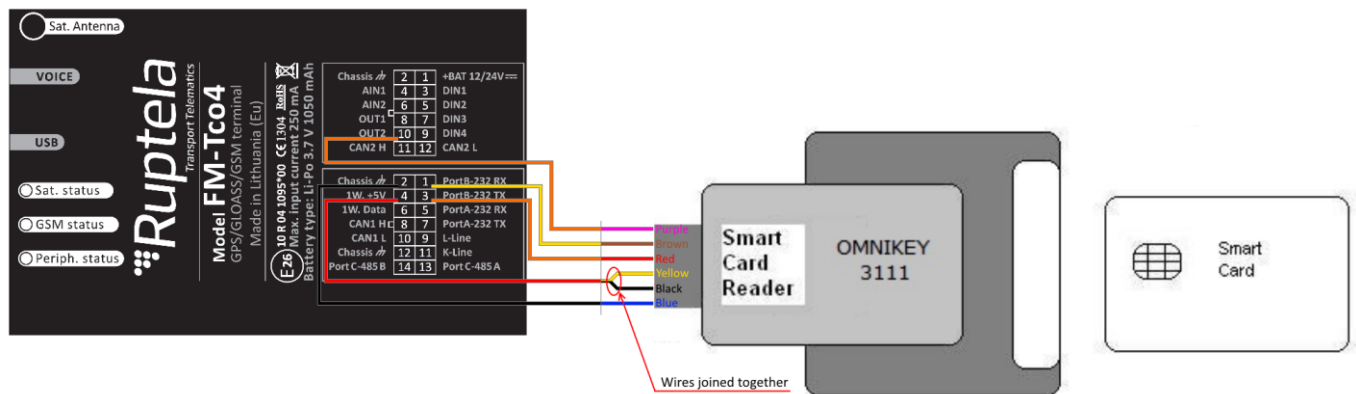
- Purple, LED to OUT2
- Brown to RX PORTB (RX PORTA)
- Red to TX PORTB (TX PORTA)
- Joined Blue and Black wires to 1W +5V
- Yellow, GND to Chassis



Method 2:

OMNIKEY Card Reader wires should be connected to the following FM Device ports:

- Purple, LED to OUT2
- Brown to RX PORTB (RX PORTA)
- Red to TX PORTB (TX PORTA)
- Joined Yellow and Black wires to 1W +5V
- Blue, GND to Chassis



Contacts:

Main Support no.: +370 5 2045030
 Polish Support no.: +48 22 2092532
 Ukrainian Support no.: +380 947 107319

Web: www.ruptela.com
 Email: support@ruptela.com

Card Reader LED states

LED (green color bulbs) statuses in card reader device:

1. Blinking slowly: 5 s turned off, 0,2 s lights - it is allowed to put in the tachograph card.
2. Blinking equally: 1 s turned off, 1 s lights - reading data, it is not allowed to take out the card.
3. Lights - the card had been read successfully and needs to be taken out.
4. Blinking often: 0,2 s turned off, 0,2 s lights - error, it is not allowed to put in the card.

Configuration for the FM-Tco4/FM-Tco3

Follow these steps to configure your FM Device:

- ❖ In the main FM4 Configurator window choose Tco4 [1.]. (In the FM3 configurator choose Tco3).
- ❖ Go to the **IO events** [2.].
- ❖ Put a tick on the **PortB** check box and choose TCO card reader [3.].

Close the "IO settings" window and send the configuration to the device.

The screenshot shows the FM4 Configurator 00.01.70r1 interface. In the main window, the 'Tco4' option is selected in the 'Profile 1' dropdown (1). The 'IO settings' window is open, showing '1 : Disabled' in the dropdown. In the 'IO properties' section, 'Accelerometer Y' is selected for ID. In the 'Interfaces' section, 'PortB' is checked and 'TCO card reader' is selected (3). The 'IO events' button is highlighted (2). The 'IO counters' section shows 'Records on event: 1'. The 'DOUT1' and 'DOUT2' dropdowns are set to 'Disabled'. The 'Data collection' section is also visible, with 'Enable' checked and 'Time without engine' set to 60s.



Contacts:

Main Support no.: +370 5 2045030
 Polish Support no.: +48 22 2092532
 Ukrainian Support no.: +380 947 107319

Web: www.ruptela.com

Email: support@ruptela.com