

Drager Interlock 5000/7000 Alcotester

Introduction

Drager Interlock 5000/7000 alcotesters can be used to detect whether the driver is under the influence of alcohol. The driver has to perform a breath analysis test before starting the ignition and the alcotester determines, whether the alcohol content in the driver's breath is below or above a configured threshold. The alcotester will output a configurable signal based on the result.

Drager Interlock 5000/7000 alcotesters are compatible with the following FM devices with the latest firmware version:

- FM-Tco4 HCV
- FM-Tco4 LCV
- FM-Pro4
- FM-Eco4
- FM-Eco4 light
- FM-Eco4 light S

You can get the latest firmware and configurator from our documentation website: doc.ruptela.lt

Legal notice

Copyright © 2018 Ruptela. All rights reserved. Reproduction, transfer, distribution or storage of parts or all of the contents in this document in any form without the prior written permission of Ruptela is prohibited. Other products and company names mentioned in this document are trademarks or trade names of their respective owners.

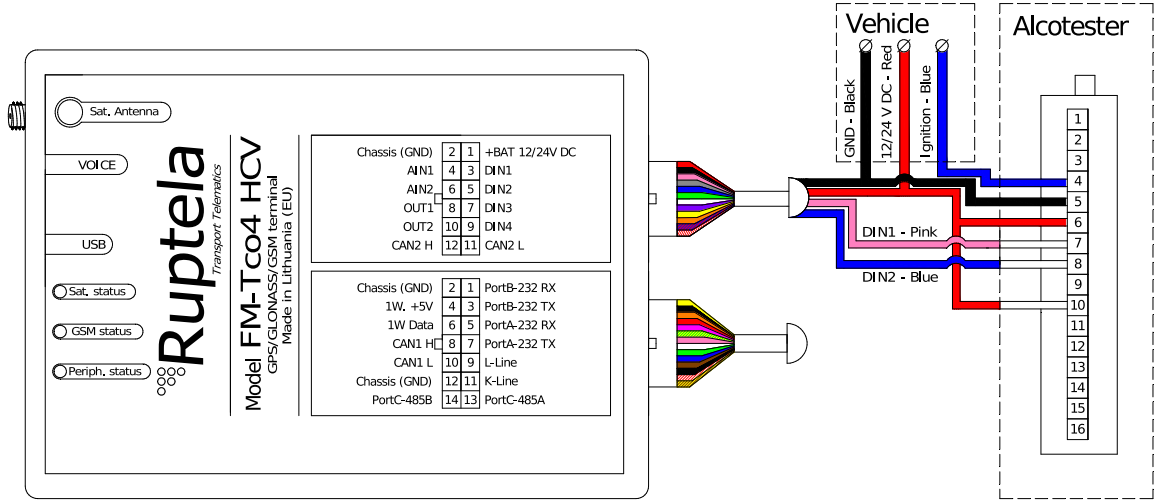
Document change log

Date	Version	Change details
2018-06-11	1.0	Initial draft.

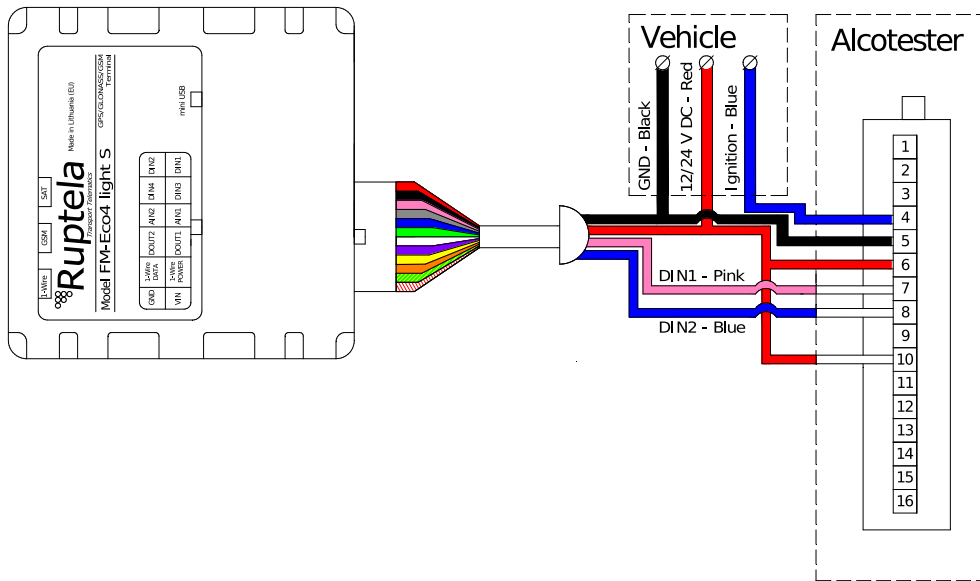
Connection to FM device

We recommend to connect the alcotester to your FM device as follows:

- For FM-Tco4 HCV, FM-Tco4 LCV and FM-Pro4 devices:



- For FM-Eco4, FM-Eco4 light and FM-Eco4 light S devices:



FM device	Alcotester
Black – Ground	Black – Ground (Pin 5)
Red – 12/24 V DC	Red – Power supply (Pin 6)
Pink – DIN1	White – OUT1 (Pin 7)
Blue – DIN2	White – OUT2 (Pin 8)
Red – 12/24 V DC	White – Input (Pin 10)

Vehicle	Alcotester
Ignition	Blue – Ignition (Pin 4)