

Ignition blocking relay

Introduction

A changeover relay can be used with the FM device to block the engine from being started under certain conditions. A digital output (DOUT) is used to control the relay.

Ignition blocking relays can be used with the following FM devices:

- FM-Tco4 HCV
- FM-Tco4 LCV
- FM-Pro4
- FM-Eco4
- FM-Eco4 S



You can get the latest firmware and configurator from our documentation website: doc.ruptela.it

Legal notice

Copyright © 2018 Ruptela. All rights reserved. Reproduction, transfer, distribution or storage of parts or all of the contents in this document in any form without the prior written permission of Ruptela is prohibited. Other products and company names mentioned in this document are trademarks or trade names of their respective owners.

Document change log

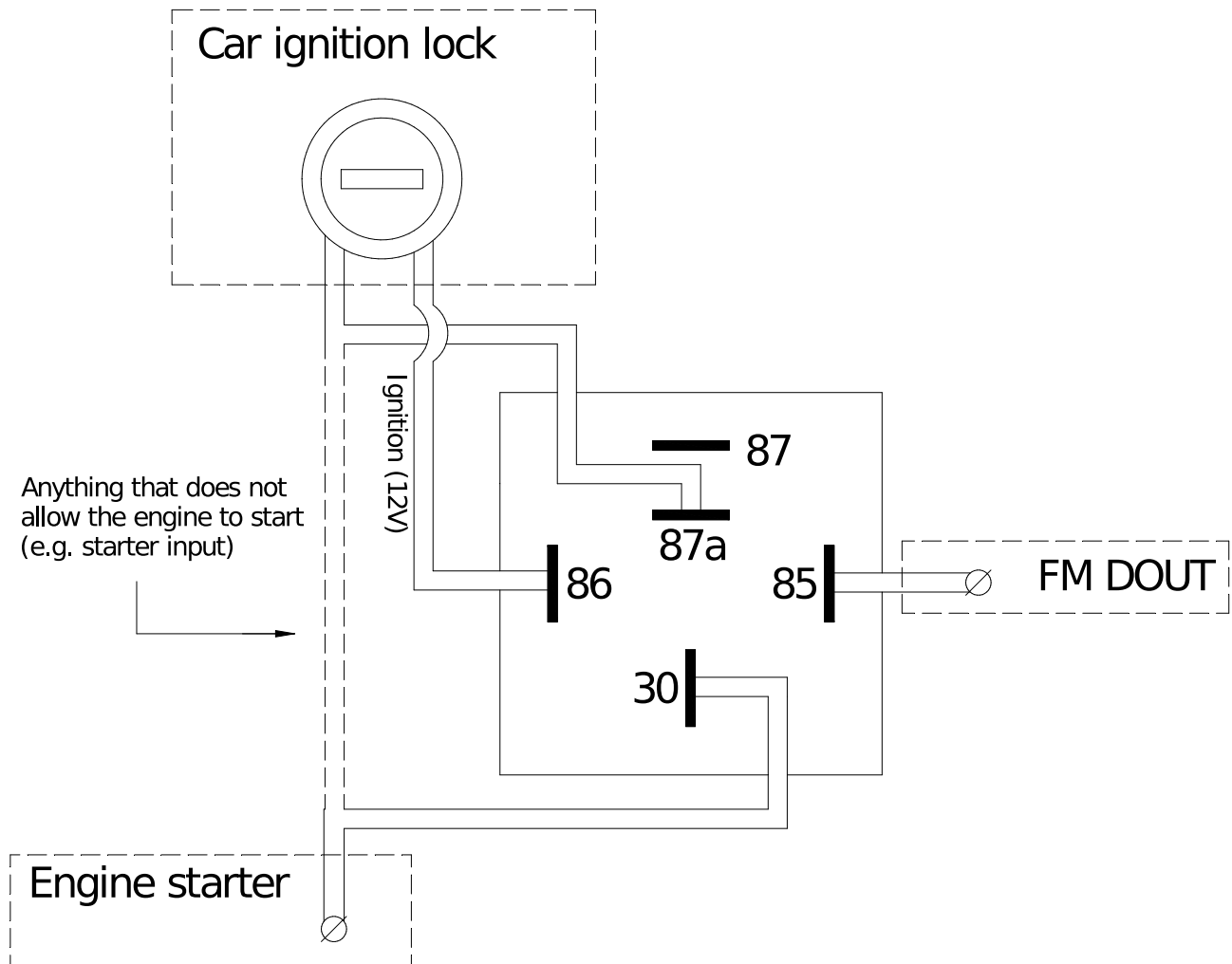
Date	Version	Change details
2018-11-05	1.2	Connection schematic updated. Document design updated.

Requirements

For light vehicles: 12 V 40 A

For trucks: 24 V 40 A

Connect the relay to the ignition system as shown in the schematic below.



Relay pinout

Pin number	Function
85	Coil
86	Coil
87	Normally open (NO)
87a	Normally closed (NC)
30	Common connection to NO and NC pins

