

# Eco-Drive Panel Connection

## Introduction

The Eco-Drive Panel display is a peripheral integrated into Ruptela FM devices. It is used to monitor driver behaviour in real-time. The Eco-Drive Panel uses visual and audio indications to alert driver when his/her driving style causes fuel wastage and faster vehicle depreciation.

The Eco-Drive Panel can be used with the following FM devices:

- FM-Tco4 HCV
- FM-Tco4 LCV
- FM-Pro4
- FM-Eco4
- FM-Eco4 S

This feature description applies to FM devices with the latest firmware version.

You can get the newest firmware and configurator from our documentation website: [doc.ruptela.it](http://doc.ruptela.it)

## Legal notice

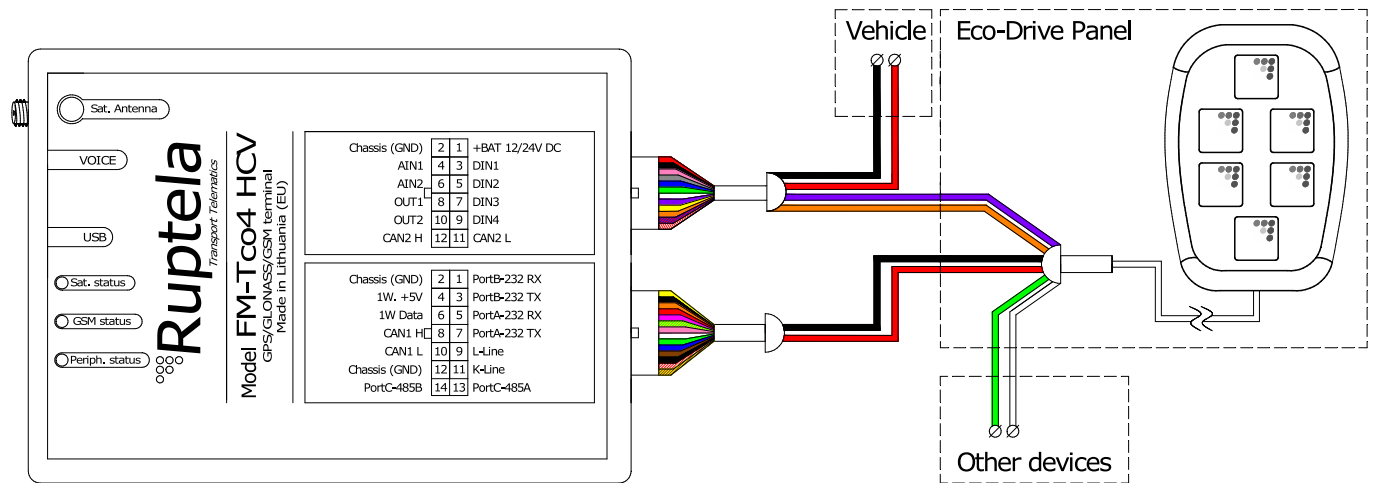
Copyright © 2018 Ruptela. All rights reserved. Reproduction, transfer, distribution or storage of parts or all of the contents in this document in any form without the prior written permission of Ruptela is prohibited. Other products and company names mentioned in this document are trademarks or trade names of their respective owners.

## Document change log

| Date       | Version | Change details        |
|------------|---------|-----------------------|
| 2019-01-07 | 1.0     | Initial draft remake. |

## Connection to FM-Tco4/FM-Pro4 devices

Connect the Eco-Drive Panel to your FM device as follows:



### FM Device

Red – 1-Wire power supply

Black – Ground

Purple – DOUT1

Orange – DOUT2

### Eco-Drive Panel

Red

Black

Purple

Orange

### Other devices

Digital output

Digital output

### Eco-Drive Panel

Green

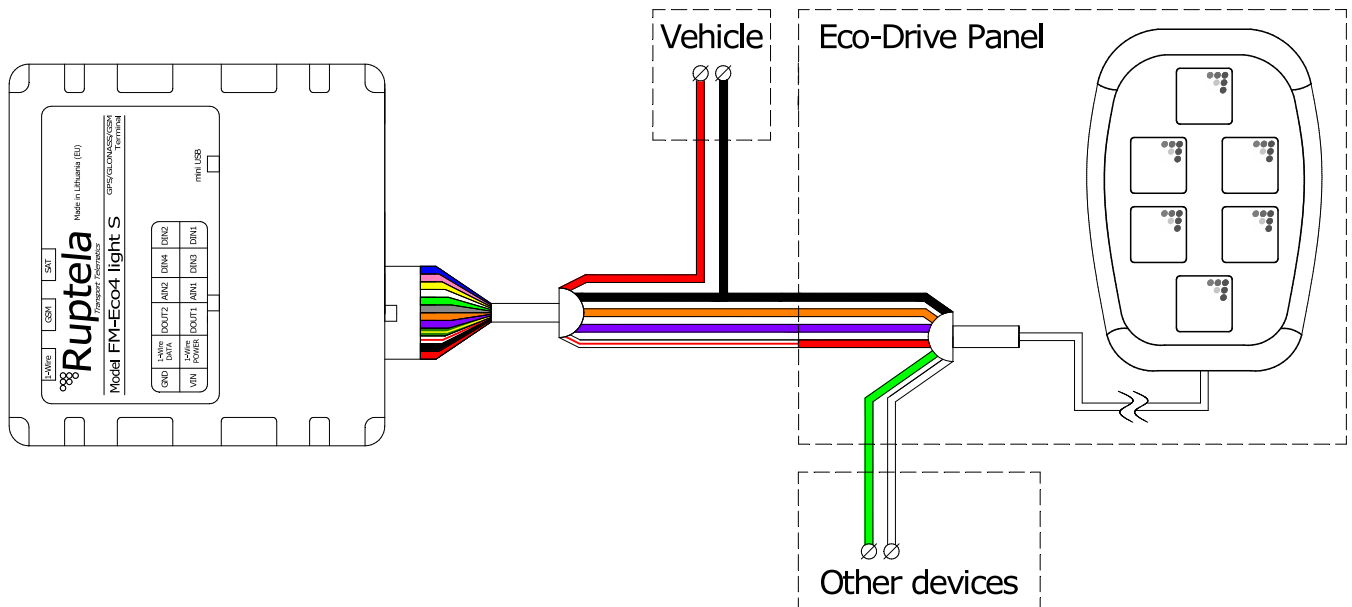
White

## Note

Connecting the Eco-Drive Panel to a 12 V power supply will damage it. Connect it only to the 1-Wire power supply!

## Connection to FM-Eco4/FM-Eco4 S devices

Connect the Eco-Drive Panel to your FM device as follows:



| FM Device                       | Eco-Drive Panel |
|---------------------------------|-----------------|
| White/Red – 1-Wire power supply | Red             |
| Black – Ground                  | Black           |
| Purple – DOUT1                  | Purple          |
| Orange – DOUT2                  | Orange          |
| Other devices                   | Eco-Drive Panel |
| Digital output                  | Green           |
| Digital output                  | White           |

### Note

Connecting the Eco-Drive Panel to a 12 V power supply will damage it. Connect it only to the 1-Wire power supply!

# Configuration

Open the FM Device configurator and make sure, that Eco-Drive Panel is enabled:

1. Select your device.
2. Enable the functionality by ticking the **Enable** checkbox in the **Eco-drive** settings section.
3. Click on the **Options** button located on the right.
4. In the **Eco-Drive** pop-up window tick the **Eco-Driving panel connected** checkbox.

Close the **Eco-Drive** window and send the configuration to your device.

The screenshot displays the FM Device configurator interface. On the left, a sidebar contains buttons for 'Connect', 'Send CFG', 'Get CFG', and 'Send FW', along with a dropdown menu showing 'Tco4 HCV 1.'. The main area is divided into several sections: 'Global' (Protocol: UDP selected), 'APN settings' (Name, User, Psw), 'Connection settings' (IP1, Port1, IP2, Port2, SSL 1, SSL 2, Two servers, Periodical redirect), 'Authorized numbers' (Options), and 'Eco-Drive' (Enable checked, Options). A red box highlights the 'Eco-Drive' section in the main area. Below it, the 'Eco-Drive' pop-up window is open, showing various settings for a 'Custom' profile. The 'Eco-Drive panel connected' checkbox is checked and highlighted with a red box. Other settings include Overspeeding limit (110 km/h), RPM green band limits, Harsh braking/acceleration limits, Idling delay/speed, Cruise control speed, Data source (ACC), and Engine braking conditions. A 'Close' button is at the bottom of the pop-up window.